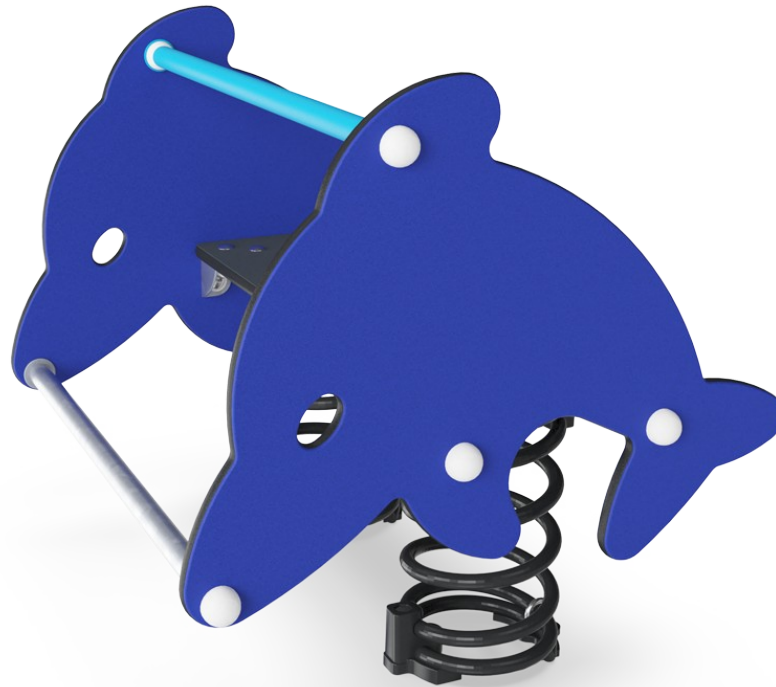



Dolphin, Double

PCM104



Item no. PCM104-0401

General Product Information

Dimensions LxWxH	75x72x73 cm
Age group	2 - 5
Play capacity (users)	2
Colour options	



Rocking on the Double Dolphin is a wildly attractive playground activity that children will return to again and again. Children are able to control the play by moving their bodies to make the Dolphin rock. They will feel delighted to have the Dolphin respond to their movements. The two sides support the seated position, and the foot and hand holds provide a stable point

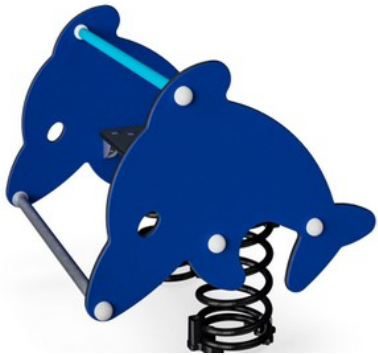
to stem feet and hands from, to create the movement. There is room enough for two. This supports cooperation and positive social relations. Rocking on the Double Dolphin is also good for physical and cognitive development. When children begin to learn the connections between their bodies and their movements, they begin to make cognitive

connections to a range of body movements and sensations. The dolphin theme will spur dramatic play, stimulating language development.



Dolphin, Double

PCM104



Panels of 19mm EcoCore™. EcoCore™ is a highly durable, eco friendly material, which is not only recyclable after use, but also consists of a core produced from 100% recycled material.



KOMPAN Springs are made of high quality spring steel according to EN10270. The springs are cleaned by phosphating before they are painted with an epoxy primer and a polyester powder coating as top finish. The springs are fixed by unique anti pinch fittings for maximum safety and long lifetime.



The springs are fixed by unique anti pinch fittings for maximum safety and long lifetime.



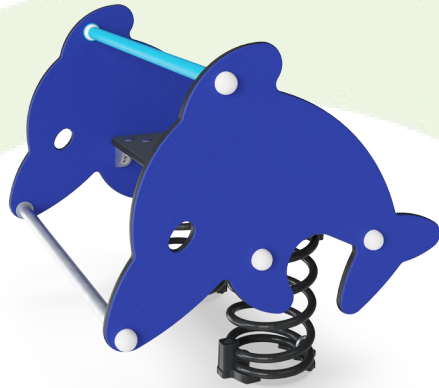
Seat is made of HPL with a thickness of 17.8mm with a very high wearing strength and a unique KOMPAN nonskid surface texture.



Handles are made of polypropylene PP with excellent impact strength and usable within a large temperature span.

Item no. PCM104-0401	
Installation Information	
Max. fall height	40 cm
Safety surfacing area	17,7 m ²
Total installation time	2,8
Excavation volume	0,33 m ³
Concrete volume	0,00 m ³
Footing depth (standard)	42 cm
Shipment weight	55 kg
Anchoring options	In-ground ✓ Surface ✓
Warranty Information	
EcoCore HDPE	Lifetime
Hot dip galvanized steel	Lifetime
Springs	5 years
HPL seat	15 years
Spare parts guaranteed	10 years





Cradle to Gate A1-A3	Total CO ₂ emission	CO ₂ e/kg	Recycled materials
	kg CO ₂ e	kg CO ₂ e/kg	%
PCM104-0401	120,30	2,31	39,50

The overall framework applied for these factors is the Environmental Product Declaration (EPD), which quantifies "environmental information on the life cycle of a product and enable comparisons between products fulfilling the same function" (ISO, 2006). This follows the structure and applies a Life-Cycle Assessment approach to the entire Product stage from raw material through manufacturing (A1-A3))

Kompan A/S
 C.F. Tietgens Boulevard 32C
 DK-5220 Odense SØ
 Denmark



Validation of CO₂ calculation of: Freestanding play equipment



Data version no. 2021-09-27

The CO₂ calculation and data are in compliance with the principles of a carbon footprint impact according to the GHG protocol (Greenhouse Gas Protocol), Scope 3, cradle to gate related to all individual components in the product category: "Freestanding play equipment" represented by item no.: GXY916012-3417.

(Scope 3 emissions include emission sources in the upstream and downstream value chain).

Date: 15. October 2021 | Valid until: 15. October 2023

Validated by:

Bente Hviid, Senior Consultant

Peter Bendtsen, Senior Consultant

Validation based on report: Validation of CO₂ calculation of 8 categories of Kompan product line, version 1.0, prepared by: Bureau Veritas HSE, Denmark: Bente Hviid and Peter Bendtsen.

Publication date: 15. October 2021

By Bureau Veritas HSE
 www.bureauveritas.dk
 +45 7731 1000

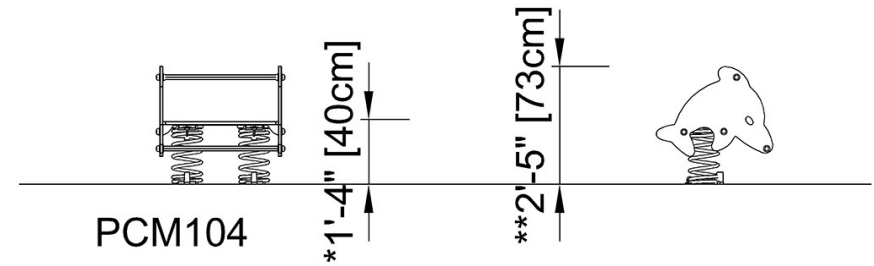
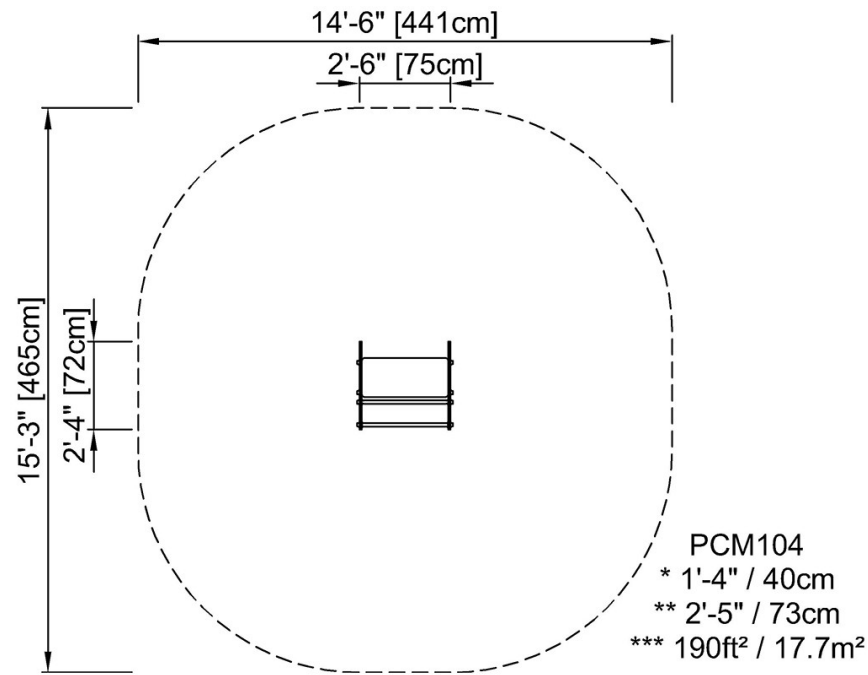


Dolphin, Double

PCM104

* Max fall height | ** Total height | *** Safety surfacing area

* Max fall height | ** Total height



[Click to see TOP VIEW](#)

[Click to see SIDE VIEW](#)