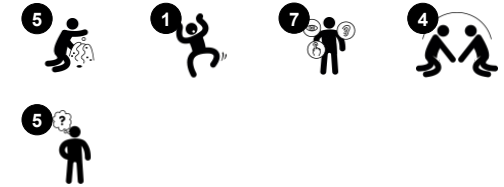


# Play Panel 2 - Emotion, Classic

PCM003221



| Item no.                    |              |
|-----------------------------|--------------|
| General Product Information |              |
| Dimensions LxWxH            | 201x99x89 cm |
| Age group                   | 6m - 5       |
| Play capacity (users)       | 9            |
| Colour options              |              |



The Emotions Play Panels immensely attract young children with their variation of rich, responsive play textures. The sense of touch is hugely stimulated with the Conveyor belt. The tactile stimulation, apart from being deeply satisfying for children, stimulates their fine motor and language abilities. So does the thematic character of the play panel: there is a

watch to one side of the Conveyor Belt, and a Shop window that can be open and closed with curtains. This inspires playing shop or other dramatic play scenarios, that stimulate communication, language, and social-emotional development. The mirror is there to assist the shop assistant in looking okay, and looking behind his shoulders, too. KOMPAN

Play Institute analysis shows the mirror as an immensely attractive activity for young children, developing their understanding of themselves as individuals, as well as their social-emotional skills. The binoculars make possible a view of the playground.



# Play Panel 2 - Emotion, Classic

PCM003221



Panels of 19mm EcoCore™. EcoCore™ is a highly durable, eco friendly material, which is not only recyclable after use, but also consists of a core produced from 100% recycled material.



Main posts with hot-dip galvanized steel footing are available in different materials: Pressure impregnated pinewood posts. Pre-galvanized inside and outside with powder-coated top finish steel posts. Lead-free aluminum with color anodized top finish. Greenline TexMade posts of 100% post-consumer recycled PE and textile waste.



The Xylophone music panel consist of HDPE material in 19mm EcoCore™. The pipes are made of die cast aluminum specifically alloyed for outdoor environments. The percussion panel consist of 2 Conga Drums with PP tubes and top in colored ABS.



KOMPAN GreenLine versions are designed with the most environmentally friendly materials with the lowest possible CO2e emission factor such as EcoCore™ panels of 100% post-consumer recycled ocean waste.

Item no.

### Installation Information

|                          |                    |
|--------------------------|--------------------|
| Max. fall height         | 0 cm               |
| Safety surfacing area    | 0,0 m <sup>2</sup> |
| Total installation time  |                    |
| Excavation volume        |                    |
| Concrete volume          |                    |
| Footing depth (standard) |                    |
| Shipment weight          |                    |
| Anchoring options        |                    |

### Warranty Information

|                          |          |
|--------------------------|----------|
| EcoCore HDPE             | Lifetime |
| Post                     | 10 years |
| Hot dip galvanized steel | Lifetime |
| Movable parts            | 2 years  |
| Spare parts guaranteed   | 10 years |





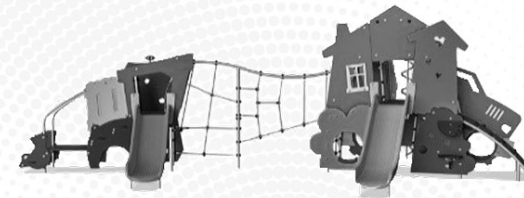
| Cradle to Gate A1-A3 | Total CO <sub>2</sub> emission | CO <sub>2</sub> e/kg    | Recycled materials |
|----------------------|--------------------------------|-------------------------|--------------------|
|                      | kg CO <sub>2</sub> e           | kg CO <sub>2</sub> e/kg | %                  |
|                      |                                |                         |                    |

The overall framework applied for these factors is the Environmental Product Declaration (EPD), which quantifies "environmental information on the life cycle of a product and enable comparisons between products fulfilling the same function" (ISO, 2006). This follows the structure and applies a Life-Cycle Assessment approach to the entire Product stage from raw material through manufacturing (A1-A3))

**Kompan A/S**  
 C.F. Tietgens Boulevard 32C  
 DK-5220 Odense SØ  
 Denmark



### Validation of CO<sub>2</sub> calculation of: Themed play systems



Data version no. 2021-09-27

The CO<sub>2</sub> calculation and data are in compliance with the principles of a carbon footprint impact according to the GHG protocol (Greenhouse Gas Protocol), Scope 3, cradle to gate related to all individual components in the product category: "Themed play systems" represented by item no.: MSC641100-3717P.

(Scope 3 emissions include emission sources in the upstream and downstream value chain).

**Date: 15. October 2021 | Valid until: 15. October 2023**

**Validated by:**

Bente Hviid, Senior Consultant

Peter Bendtsen, Senior Consultant

Validation based on report: Validation of CO<sub>2</sub> calculation of 8 categories of Kompan product line, version 1.0, prepared by: Bureau Veritas HSE, Denmark: Bente Hviid and Peter Bendtsen.

**Publication date: 15. October 2021**

**By Bureau Veritas HSE**  
 www.bureauveritas.dk  
 +45 7731 1000

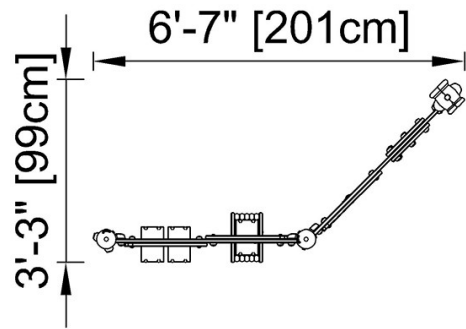


# Play Panel 2 - Emotion, Classic

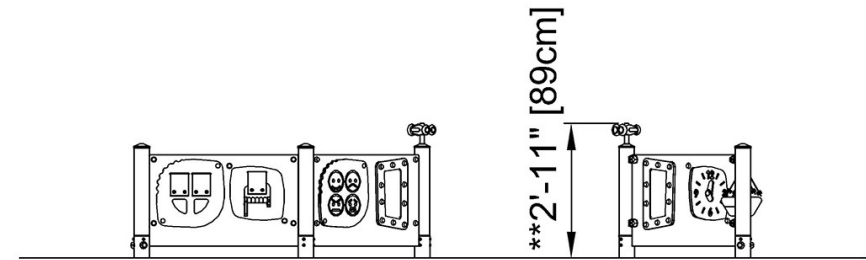
PCM003221

\* Max fall height | \*\* Total height | \*\*\* Safety surfacing area

\* Max fall height | \*\* Total height



PCM003221  
\*\* 2'-11 / 89cm



PCM003221

[Click to see TOP VIEW](#)

[Click to see SIDE VIEW](#)