

# Play Panel 2 - Music, Classic

PCM003121

**KOMPAN**  
Let's play



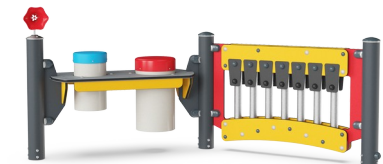
Item no. PCM003121-0901	
<b>General Product Information</b>	
Dimensions LxWxH	198x96x92 cm
Age group	6m - 5
Play capacity (users)	7
Colour options	



The Music Play Panel 2 attracts children immensely with its colorful combinations of rhythm, sounds, and tones. They will come back, again and again, to be part of creative play, on their own or with friends and teachers. The music pipes offer sensory variations with a tonal sound outcome. Children train hand-eye coordination which is crucial to control

movement and e.g. handwriting. The black rubber flaps can be plunked, or pipes beaten and tunes created. This trains logical as well as creative thinking and invites cooperation and social play. The Percussion Panel is an immense play invitation for children: The drums can be played alone or together. There is room for many users to congregate around them.

This encourages social interaction and co-creation when drumming rhythms and singing along. It also stimulates cognition and creativity as children create rules and rhythms together or individually.



# Play Panel 2 - Music, Classic

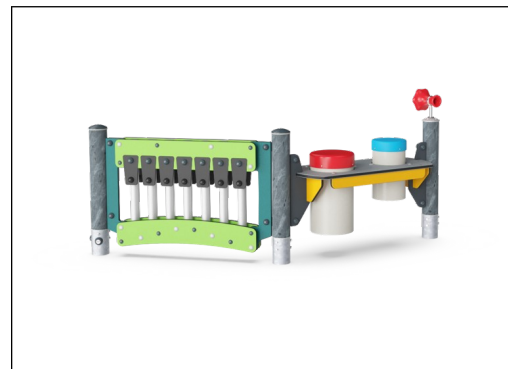
PCM003121



Main posts with hot-dip galvanized steel footing are available in different materials: Pressure impregnated pinewood posts. Pre-galvanized inside and outside with powder-coated top finish steel posts. Lead-free aluminum with color anodized top finish. Greenline TexMade posts of 100% post-consumer recycled PE and textile waste.



The Xylophone music panel consist of HDPE material in 19mm EcoCore™. The pipes are made of die cast aluminum specifically alloyed for outdoor environments. The percussion panel consist of 2 Conga Drums with PP tubes and top in colored ABS.



KOMPAN GreenLine versions are designed with the most environmentally friendly materials with the lowest possible CO2e emission factor such as EcoCore™ panels of 100% post-consumer recycled ocean waste.

Item no. PCM003121-0901

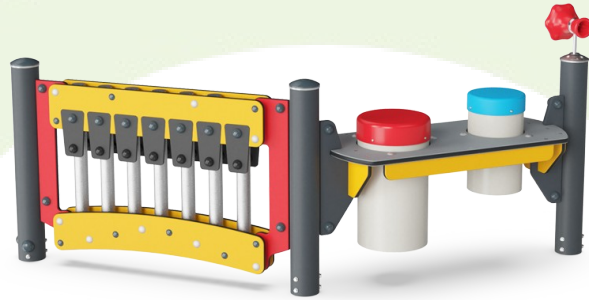
## Installation Information

Max. fall height	0 cm
Safety surfacing area	0,0 m <sup>2</sup>
Total installation time	4,9
Excavation volume	0,05 m <sup>3</sup>
Concrete volume	0,00 m <sup>3</sup>
Footing depth (standard)	85 cm
Shipment weight	80 kg
Anchoring options	

## Warranty Information

EcoCore HDPE	Lifetime
Post	10 years
Hot dip galvanized steel	Lifetime
Movable parts	2 years
Spare parts guaranteed	10 years





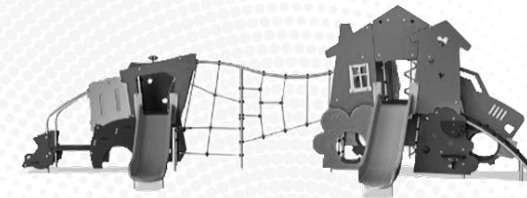
Cradle to Gate A1-A3	Total CO <sub>2</sub> emission	CO <sub>2</sub> e/kg	Recycled materials
	kg CO <sub>2</sub> e	kg CO <sub>2</sub> e/kg	%
PCM003121-0901	180,00	2,82	44,20
PCM003121-0950	146,40	2,06	60,00

The overall framework applied for these factors is the Environmental Product Declaration (EPD), which quantifies "environmental information on the life cycle of a product and enable comparisons between products fulfilling the same function" (ISO, 2006). This follows the structure and applies a Life-Cycle Assessment approach to the entire Product stage from raw material through manufacturing (A1-A3))

**Kompan A/S**  
 C.F. Tietgens Boulevard 32C  
 DK-5220 Odense SØ  
 Denmark



## Validation of CO<sub>2</sub> calculation of: Themed play systems



Data version no. 2021-09-27

The CO<sub>2</sub> calculation and data are in compliance with the principles of a carbon footprint impact according to the GHG protocol (Greenhouse Gas Protocol), Scope 3, cradle to gate related to all individual components in the product category: "Themed play systems" represented by item no.: MSC641100-3717P.

(Scope 3 emissions include emission sources in the upstream and downstream value chain).

**Date: 15. October 2021 | Valid until: 15. October 2023**

**Validated by:**

Bente Hviid, Senior Consultant

Peter Bendtsen, Senior Consultant

Validation based on report: Validation of CO<sub>2</sub> calculation of 8 categories of Kompan product line, version 1.0, prepared by: Bureau Veritas HSE, Denmark: Bente Hviid and Peter Bendtsen.

**Publication date: 15. October 2021**

By Bureau Veritas HSE  
 www.bureauveritas.dk  
 +45 7731 1000

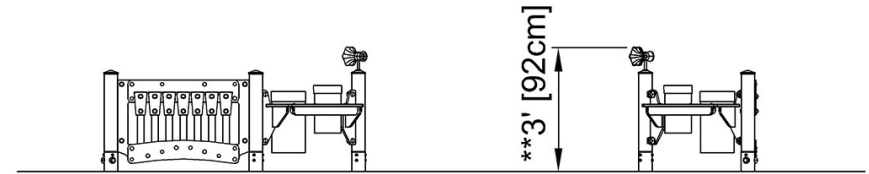
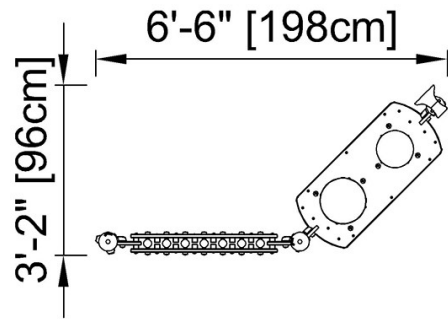


# Play Panel 2 - Music, Classic

PCM003121

\* Max fall height | \*\* Total height | \*\*\* Safety surfacing area

\* Max fall height | \*\* Total height



PCM003121

PCM003121  
\*\* 3'-0" / 92cm

[Click to see TOP VIEW](#)

[Click to see SIDE VIEW](#)