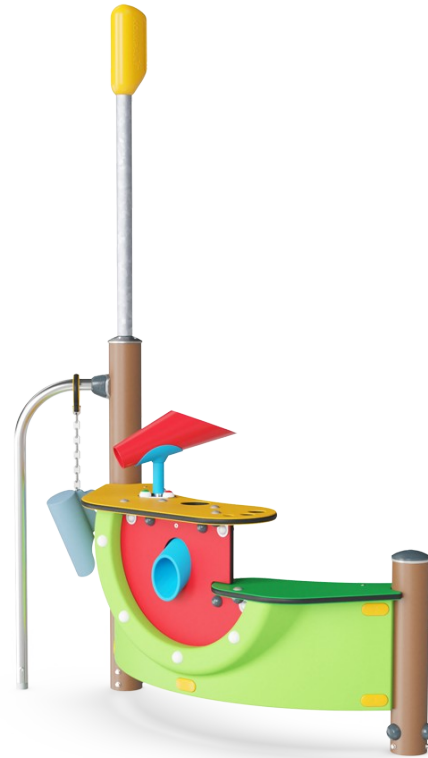


Miner

PCE50221



The Miner attracts children with its variety of colours. The number of sand play activities makes them come back again and again. The movable funnel can transport sand into the sieve or let it run through to the lower funnel. This stimulates the child's understanding of endurance and logical thinking. The scoop lifts sand from the ground and running it on the

tube helps build arm strength. The two table heights make cooperation possible for different ages: the youngest can use the lower table as a support for standing. Additionally, it creates a good space for working with materials. The two-sided Miner is a compact addition to any playground, providing room for children of all abilities to play together, from all sides.

Item no.	
General Product Information	
Dimensions LxWxH	4'7"x1'8"x6'11"
Age group	2 - 5
Play capacity (users)	3
Color options	

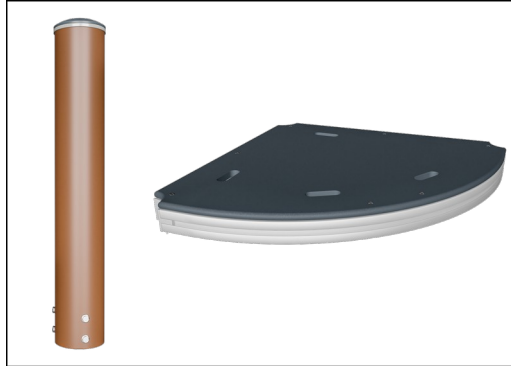


Miner

PCE50221



The Curved ELEMENTS panels are molded of UV stabilized recyclable PE with multiple options for in-build play features that also ensures a strong panel solution. Straight panels are made of KOMPAN 19mm PE EcoCore™ which is a highly durable, eco-friendly and recyclable material.



ELEMENTS decks are made of 17.8mm thick HPL supported by a unique designed aluminum frame with multiple attachment options by usage of aluminum connectors. The main posts are made of high quality pre-galvanized steel with powder coated top finish. Post tops are closed with caps of UV stabilised nylon (PA6).

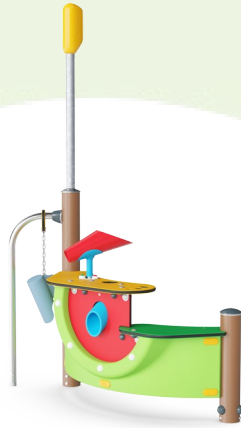


ELEMENTS products are available in three different color combinations: classic blue & green, blossom orange & yellow, nature lime and green.

Item no.	
Installation Information	
Max. fall height	0'0"
Safety surfacing area	0ft ²
Total installation time	
Excavation volume	
Concrete volume	
Footing depth (standard)	
Shipment weight	
Anchoring options	Surface ✓ In-ground ✓
Warranty Information	
EcoCore HDPE	Lifetime
Post	10 years
Curved Panels	10 years
Hot dip galvanized steel	Lifetime
Spare parts guaranteed	10 years

Elevated activities 0	Accessible elevated activities	Accessible ground level activities	Accessible ground level play types
Present	0	2	1
Required	2	1	1





Cradle to Gate A1-A3	Total CO ₂ emission	CO ₂ e/kg	Recycled materials
	kg CO ₂ e	kg CO ₂ e/kg	%

The overall framework applied for these factors is the Environmental Product Declaration (EPD), which quantifies "environmental information on the life cycle of a product and enable comparisons between products fulfilling the same function" (ISO, 2006). This follows the structure and applies a Life-Cycle Assessment approach to the entire Product stage from raw material through manufacturing (A1-A3))

Kompan A/S
 C.F. Tietgens Boulevard 32C
 DK-5220 Odense SØ
 Denmark



Validation of CO₂ calculation of: Play systems



Data version no. 2021-01-11

The CO₂ calculation and data are in compliance with the principles of a carbon footprint impact according to the GHG protocol (Greenhouse Gas Protocol), Scope 3, cradle to gate related to all individual components in the product category: "Play systems" represented by item no.: PCM200309-0010. (Scope 3 emissions include emission sources in the upstream and downstream value chain).

Date: 15. October 2021 | Valid until: 15. October 2023

Validated by:

Bente Hviid, Senior Consultant

Peter Bendtsen, Senior Consultant

Validation based on report: Validation of CO₂ calculation of play systems – Kompan, version 1.0, prepared by: Bureau Veritas HSE, Denmark: Bente Hviid and Peter Bendtsen.

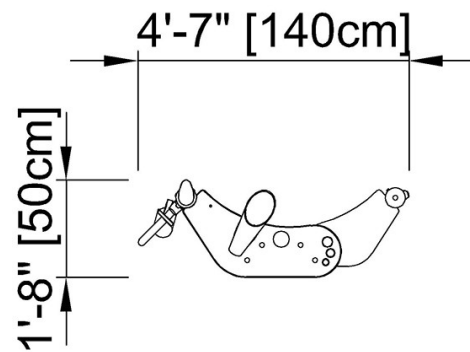
Publication date: 15. October 2021

By Bureau Veritas HSE
 www.bureauveritas.dk
 +45 7731 1000

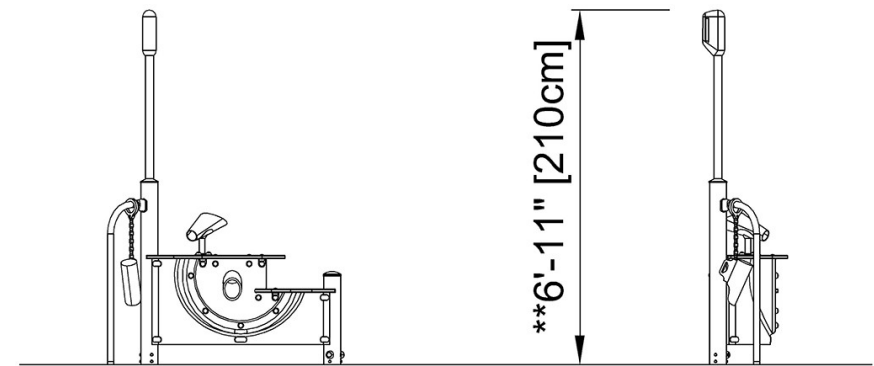


* Max fall height | ** Total height | *** Safety surfacing area

* Max fall height | ** Total height



PCE50221
** 6'-11" / 210cm



PCE50221

[Click to see TOP VIEW](#)

[Click to see SIDE VIEW](#)