

Chatter Table

PAR1152

KOMPAN
Let's play



产品编号 PAR1152-0611

产品信息概览

长宽高尺寸

110x54x99 cm

适用年龄段

容纳人数

颜色选择



Outdoor Furniture plays an essential role in our communities by adding an inviting and social atmosphere, a place to meet, socialise or rest. Chatter is classic park furniture designed for social interaction and relaxation. It perfectly blends into public areas like parks and playgrounds etc. Chatter Table is a freestanding table that can be combined with

Chatter benches. Grouped furniture around a table offers countless possibilities for use.

Chatter Table

PAR1152



木板由来自欧洲可持续来源的松木制成。木材根据 EN335:2013 3 级 (相当于 NTR AB 级) 进行压力浸渍。根据要求, 它可以作为 FSC® 认证 (FSC® C004450) 提供。



钢表面内外均采用无铅热镀锌镀层, 户外耐蚀性高, 维护成本低。



KOMPAN 户外家具可用于地表和入地安装。通过锚固到基层进行表面安装或直接安装在地面或额外的热浸镀锌钢支架中进行入地安装。

产品编号 PAR1152-0611

安装信息

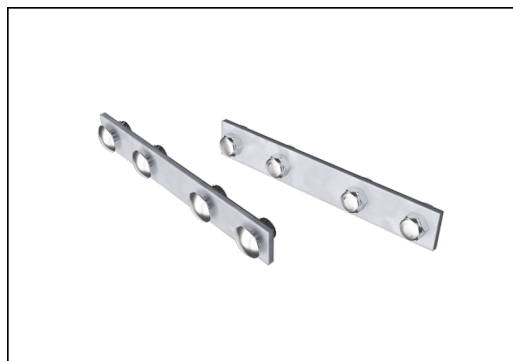
安装总时长	0.5
开挖量	0.11 m ³
混凝土使用量	0.05 m ³
标准入地深度	63 cm
运输重量	28 kg
固定选项	入地 <input checked="" type="checkbox"/>

质保信息

松木	10 年
镀锌钢结构	终身质保
承保零部件	10 年



通过选择单个产品或组装成更大的解决方案, 可以将长凳和桌子组合成多种设置。查看目录页面以获得更多灵感。



硬件由不锈钢或镀锌钢制成, 以确保具有高耐腐蚀性的耐用连接。



从原材料到成品

CO₂ 排放总量

kg CO₂e

CO₂ 排放量 / 千克

kg CO₂e/kg

回收的原料

%

PAR1152-0611

35.10

1.42

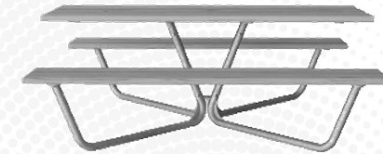
22.90

这些因素采用的总体框架为环保产品声明 (EPD), 该声明可量化“产品生命周期的环保信息, 并对相同功能的产品进行对比” (ISO, 2006)。在遵循该框架的同时, 对从原材料到制造的整个产品阶段 (A1-A3) 应用生命周期评估法。

Kompan A/S
C.F. Tietgens Boulevard 32C
DK-5220 Odense SØ
Denmark



Validation of CO₂ calculation of: Park



Data version no. 2021-09-27

The CO₂ calculation and data are in compliance with the principles of a carbon footprint impact according to the GHG protocol (Greenhouse Gas Protocol), Scope 3, cradle to gate related to all individual components in the product category: "Park" represented by item no.: PAR4070-0001. (Scope 3 emissions include emission sources in the upstream and downstream value chain).

Date: 15. October 2021 | Valid until: 15. October 2023

Validated by:

Bente Hviid, Senior Consultant

Peter Bendtsen, Senior Consultant

Validation based on report: Validation of CO₂ calculation of 8 categories of Kompan product line, version 1.0, prepared by: Bureau Veritas HSE, Denmark: Bente Hviid and Peter Bendtsen.

Publication date: 15. October 2021

By Bureau Veritas HSE
www.bureauveritas.dk
+45 7731 1000

