
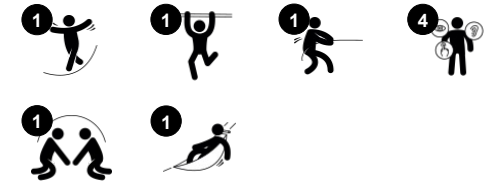


# Rope Bridge

NRO811



Item no. NRO811-1001	
<b>General Product Information</b>	
Dimensions LxWxH	224x52x260 cm
Age group	4 - 12
Play capacity (users)	2
Colour options	



The Rope Bridge with its classic appeal keeps children rehearsing tight rope walks again and again. The rope can be balanced with or without hand support. The upper rope is there, when needed. Moving across the bridge trains children's sense of balance. This is fundamental for the mastery of all other motor skills. The sense of balance makes it possible for children

to walk, to run, and to avoid falling. Maintaining balance is crucial for feeling confident in physical activity. But the sense of balance is also used when sitting still. It supports the ability to concentrate and learn. The Rope Bridge trains balance, and supports balancing acts with others. The social-emotional skills of turn-taking, cooperation and negotiation are

built when passing each other on the tight rope. Click to get more inspiration for your new rope bridge playground



# Rope Bridge

NRO811



All Organic Robinia products by KOMPAN are made of Robinia wood from sustainable European sources. On request it can be supplied as FSC® Certified (FSC® C004450).



Nets and ropes are made of UV-stabilized PA with inner steel cable reinforcement. The rope is induction treated in order to create a strong connection between steel and rope which leads to good wear resistance.



The Robinia wood can be supplied as untreated raw wood or painted with a brown colored transparent pigment that maintains the golden wood color of the wood.

Item no. NRO811-1001	
Installation Information	
Max. fall height	260 cm
Safety surfacing area	20,0 m <sup>2</sup>
Total installation time	3,5
Excavation volume	0,14 m <sup>3</sup>
Concrete volume	0,05 m <sup>3</sup>
Footing depth (standard)	100 cm
Shipment weight	192 kg
Anchoring options	In-ground ✓
Warranty Information	
Robinia Wood	15 years
Stainless steel components	Lifetime
Ropes & nets	10 years
Spare parts guaranteed	10 years





Cradle to Gate A1-A3	Total CO <sub>2</sub> emission	CO <sub>2</sub> e/kg	Recycled materials
	kg CO <sub>2</sub> e	kg CO <sub>2</sub> e/kg	%
NRO811-1001	80,60	0,58	0,80

The overall framework applied for these factors is the Environmental Product Declaration (EPD), which quantifies "environmental information on the life cycle of a product and enable comparisons between products fulfilling the same function" (ISO, 2006). This follows the structure and applies a Life-Cycle Assessment approach to the entire Product stage from raw material through manufacturing (A1-A3))

**Kompan A/S**  
 C.F. Tietgens Boulevard 32C  
 DK-5220 Odense SØ  
 Denmark



### Validation of CO<sub>2</sub> calculation of: Nature play



Data version no. 2021-09-27

The CO<sub>2</sub> calculation and data are in compliance with the principles of a carbon footprint impact according to the GHG protocol (Greenhouse Gas Protocol), Scope 3, cradle to gate related to all individual components in the product category: "Nature play" represented by item no.: NRO409-0621. (Scope 3 emissions include emission sources in the upstream and downstream value chain).

**Date: 15. October 2021 | Valid until: 15. October 2023**

**Validated by:**

Bente Hviid, Senior Consultant

Peter Bendtsen, Senior Consultant

Validation based on report: Validation of CO<sub>2</sub> calculation of 8 categories of Kompan product line, version 1.0, prepared by: Bureau Veritas HSE, Denmark: Bente Hviid and Peter Bendtsen.

**Publication date: 15. October 2021**

**By Bureau Veritas HSE**  
 www.bureauveritas.dk  
 +45 7731 1000

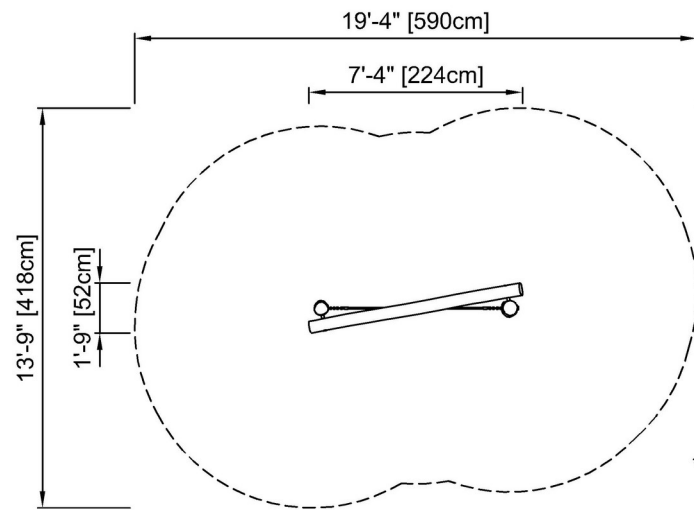


# Rope Bridge

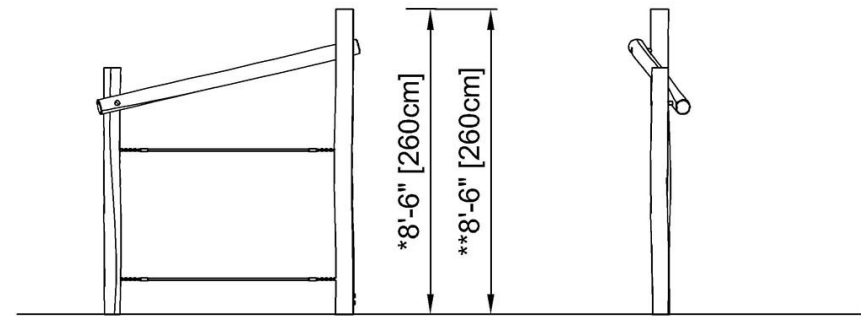
NRO811

\* Max fall height | \*\* Total height | \*\*\* Safety surfacing area

\* Max fall height | \*\* Total height



NRO811  
\* 8'-6" / 260cm  
\*\* 8'-6" / 260cm  
\*\*\* 215.3ft<sup>2</sup> / 20m<sup>2</sup>  
1/8" = 1'-0"



NRO811

[Click to see TOP VIEW](#)

[Click to see SIDE VIEW](#)