

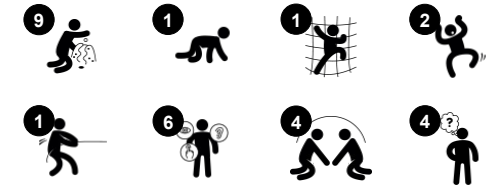


Propeller Plane

NRO564



Item no. NRO564-0621	
General product information	
Dimensions LxWxH	397x336x148 cm
Age group	2+
Play capacity (users)	12
Colour options	 



The Propeller Plane is an irresistible attraction for dramatic and active play for younger children. The rich variety of climb and crawl activities attracts and ensures physical activity that trains important motor skills and major muscles. Climbing and crawling trains cross-body coordination, which adds to motor and muscle control. The inclined net makes for a

secure, yet fun climb up and down. The varied cross-body coordination stimulations ultimately builds cross-modal perception which supports e.g reading skills. The rich variety of manipulative activities both on elevated and ground level support the dramatic play scenarios and the play duration. Dramatic play is the favorite play type for younger children,

and it helps build communication and language skills as well as empathy and understanding of the world.



Propeller Plane

NRO564



All organic Robinia products by KOMPAN are made of Robinia wood which is sourced from sustainable plantation farms. On request it can be supplied as FSC® Certified (FSC® C004450).



The paint used for coloured components is water-based, which is environmentally friendly and has excellent UV resistance. The paint is compliant with Australian Standards.



The Robinia products come in a number of standard colour options. The wood can also be supplied as untreated or with brown painted with a pigment that maintains the wood colour.



There are multiple footing options for all products: Surface anchoring with steel footings and expansion bolts, or wood in-ground or steel in-ground footings.



Panels of 19mm EcoCore™. EcoCore™ is a highly durable, eco-friendly material, which is not only recyclable after use but also consists of a core produced from 100% recycled material.



The Robinia wood can be supplied as untreated raw wood, painted with a brown coloured transparent pigment that maintains the golden wood colour or in a coloured version where selected components are painted in different colours.

Item no. NRO564-0621

Installation Information

Max. fall height	50 cm
Safety surfacing area	32.4 m ²
Total installation time	17.8
Excavation volume	1.25 m ³
Concrete volume	0.00 m ³
Footing depth (standard)	65 cm
Shipment weight	802 kg
Anchoring options	Surface ✓ In-ground ✓

Warranty Information

Robinia Wood	15 years
Stainless Steel Slide	10 years
Galvanised Steel	Lifetime
EcoCore HDPE	Lifetime
Spare Parts Guarantee	10 years



Cradle To Gate A1-A3	Total CO ₂ emission	CO ₂ e/kg	Recycled materials
	kg CO ₂ e	kg CO ₂ e/kg	%
NRO564-0621	492.30	0.85	5.30

The overall framework applied for these factors is the Environmental Product Declaration (EPD), which quantifies "environmental information on the life cycle of a product and enable comparisons between products fulfilling the same function" (ISO, 2006). This follows the structure and applies a Life-Cycle Assessment approach to the entire Product stage from raw material through manufacturing (A1-A3))

Kompan A/S
 C.F. Tietgens Boulevard 32C
 DK-5220 Odense SØ
 Denmark



Validation of CO₂ calculation of: Nature play



Data version no. 2021-09-27

The CO₂ calculation and data are in compliance with the principles of a carbon footprint impact according to the GHG protocol (Greenhouse Gas Protocol), Scope 3, cradle to gate related to all individual components in the product category: "Nature play" represented by item no.: NRO409-0621. (Scope 3 emissions include emission sources in the upstream and downstream value chain).

Date: 15. October 2021 | Valid until: 15. October 2023

Validated by:

Bente Hviid, Senior Consultant

Peter Bendtsen, Senior Consultant

Validation based on report: Validation of CO₂ calculation of 8 categories of Kompan product line, version 1.0, prepared by: Bureau Veritas HSE, Denmark: Bente Hviid and Peter Bendtsen.

Publication date: 15. October 2021

By Bureau Veritas HSE
 www.bureauveritas.dk
 +45 7731 1000

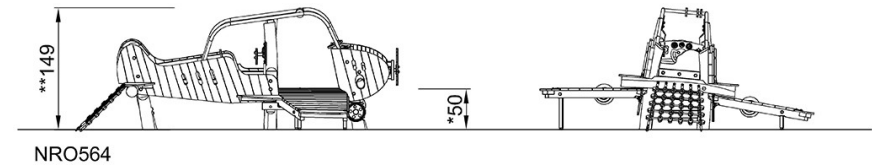
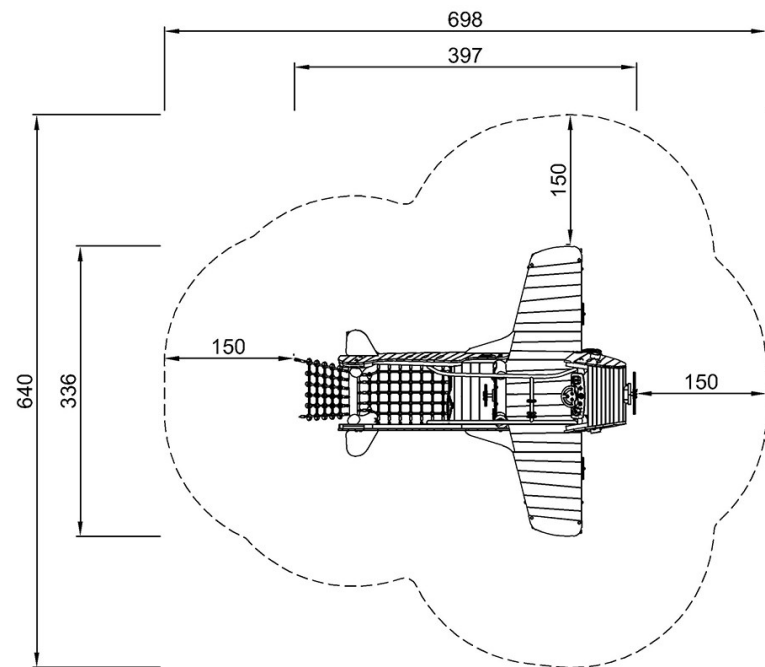


Propeller Plane

NRO564

* Max fall height | ** Total height | *** Safety surfacing area

* Max fall height | ** Total height



[Click to see TOP VIEW](#)

[Click to see SIDE VIEW](#)