

Jungle 4x4

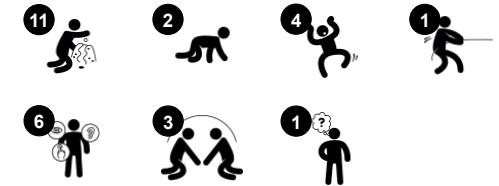
NRO563

KOMPAN
Let's play

Item no. NRO563-1041

General Product Information

Dimensions LxWxH	160x284x125 cm
Age group	2+
Play capacity (users)	8
Color options	



The Jungle ignites the child's imagination. With its appealing theme and look, it is a dramatic play starter. The many climb-and-crawl through options invite activity and stimulate motor skills such as cross-coordination. This stimulates the cross-modal perception which supports e.g. reading skills. It additionally trains muscles, proprioception and movement control. On the

easily accessible platform, a gear shift, steering wheel and seat add to the imaginative driving of the amazing Jungle. Dramatic play is the favorite play type for younger children. Apart from building an understanding of the world, dramatic play also trains language and communication skills intensely. The open design and the easy access of the Jungle

invites all children to benefit from play, making friends for life.



Jungle 4x4

NRO563



All Organic Robinia products by KOMPAN are made of Robinia wood from sustainable European sources. On request it can be supplied as FSC® Certified (FSC® C004450).



The paint used for coloured components is water based environmental friendly with excellent UV resistance. The paint is in compliance with EN 71 Part 3.



The Robinia products are designed with a KOMPAN colour concept with a number of different standard colours. The wood can also be supplied as untreated or with brown painted with a pigment that maintains the wood colour.

Item no. NRO563-1041

Installation Information

Max. fall height	28 cm
Safety surfacing area	23.9 m ²
Total installation time	13.5
Excavation volume	0.80 m ³
Concrete volume	0.10 m ³
Footing depth (standard)	100 cm
Shipment weight	687 kg
Anchoring options	Surface ✓ In-ground ✓

Warranty Information



There are Multiple footing options for all products: Surface anchoring with steel footings and expansion bolts. Wood in-ground or steel in-ground footings.



Panels of 19mm EcoCore™. EcoCore™ is a highly durable, eco friendly material, which is not only recyclable after use, but also consists of a core produced from 100% recycled post consumer material from food packing waste.



The Robinia wood can be supplied as untreated raw wood, painted with a brown coloured transparent pigment that maintains the golden wood colour or in a coloured version where selected components are painted in different colours.





Cradle to Gate A1-A3	Total CO ₂ emission	CO ₂ e/kg	Recycled materials
	kg CO ₂ e	kg CO ₂ e/kg	%
NRO563-1041	338.60	0.70	8.50
NRO563-1001	331.20	0.69	8.30

The overall framework applied for these factors is the Environmental Product Declaration (EPD), which quantifies "environmental information on the life cycle of a product and enable comparisons between products fulfilling the same function" (ISO, 2006). This follows the structure and applies a Life-Cycle Assessment approach to the entire Product stage from raw material through manufacturing (A1-A3))

Kompan A/S
 C.F. Tietgens Boulevard 32C
 DK-5220 Odense SØ
 Denmark



Validation of CO₂ calculation of: Nature play



Data version no. 2021-09-27

The CO₂ calculation and data are in compliance with the principles of a carbon footprint impact according to the GHG protocol (Greenhouse Gas Protocol), Scope 3, cradle to gate related to all individual components in the product category: "Nature play" represented by item no.: NRO409-0621. (Scope 3 emissions include emission sources in the upstream and downstream value chain).

Date: 15. October 2021 | Valid until: 15. October 2023

Validated by:

Bente Hviid, Senior Consultant

Peter Bendtsen, Senior Consultant

Validation based on report: Validation of CO₂ calculation of 8 categories of Kompan product line, version 1.0, prepared by: Bureau Veritas HSE, Denmark: Bente Hviid and Peter Bendtsen.

Publication date: 15. October 2021

By Bureau Veritas HSE
 www.bureauveritas.dk
 +45 7731 1000

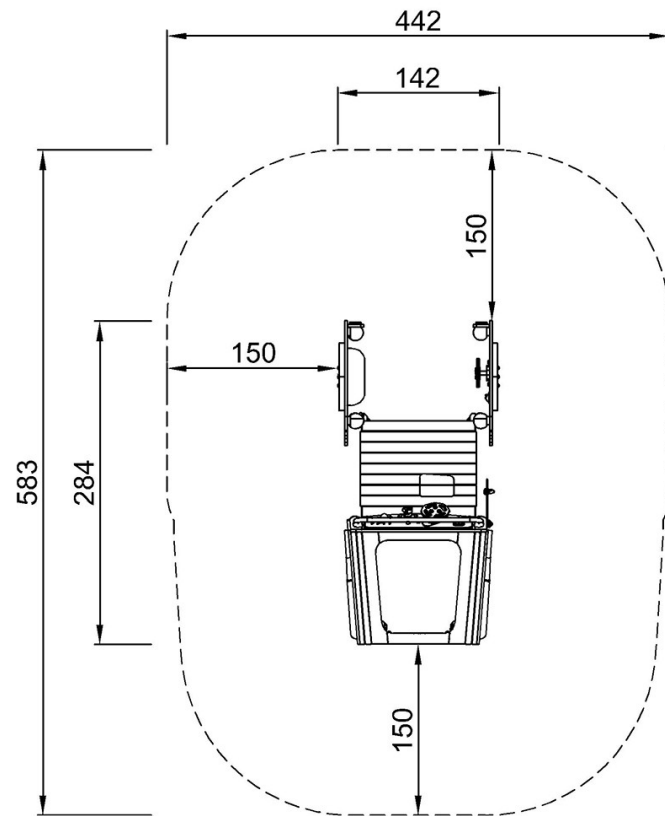


Jungle 4x4

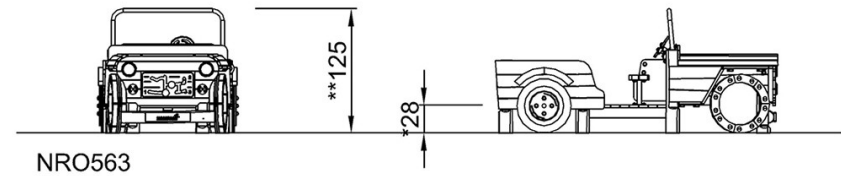
NRO563

* Max fall height | ** Total height | *** Safety surfacing area

* Max fall height | ** Total height



NRO563
*28cm
**125cm
***23.3m²



[Click to see TOP VIEW](#)

[Click to see SIDE VIEW](#)