


# Sand Pit, 1m

NRO503



|                                    |   |
|------------------------------------|---|
| Item no. NRO503-0001               |   |
| <b>General Product Information</b> |   |
| Dimensions LxWxH                   | 115x15x27 cm  |
| Age group                          | 1+  |
| Play capacity (users)              | 8   |
| Color options                      |  |

Robinia trunks can be used to design sand pits in different sizes and shapes or as edging for surfacing. The trunks are available as FSC® Certified (FSC® C004450) robinia wood on request. Sand is eternally inviting, with its combination of solid and liquid character. This immerses children in play for long periods of time. Sand invites deep play. The changeable

character of sand from when dry to when wet fascinates children. It additionally trains their tactile sense and fine motor skills. The Sand Box 8 trains the understanding of material character and nature phenomena: that sand in the sun is hot, that sand in the rain is shapeable. That sand in the sun is dry and light-weight, and wet sand is cold and heavy.

These are important understandings that contribute to the child's package of life skills that help the child understand the surrounding world. So sand play aids the child's sensory motor skills and cognition and adds an understanding of the world.



# Sand Pit, 1m

NRO503

|                                 |                     |
|---------------------------------|---------------------|
| Item no. NRO503-0001            |                     |
| <b>Installation Information</b> |                     |
| Max. fall height                | 0 cm                |
| Safety surfacing area           | 0.0 m <sup>2</sup>  |
| Total installation time         | 1.5                 |
| Excavation volume               | 0.00 m <sup>3</sup> |
| Concrete volume                 | 0.00 m <sup>3</sup> |
| Footing depth (standard)        | 0 cm                |
| Shipment weight                 | 35 kg               |
| Anchoring options               | Surface ✓           |
| <b>Warranty Information</b>     |                     |





| Cradle to Gate A1-A3 | Total CO <sub>2</sub> emission | CO <sub>2</sub> e/kg    | Recycled materials |
|----------------------|--------------------------------|-------------------------|--------------------|
|                      | kg CO <sub>2</sub> e           | kg CO <sub>2</sub> e/kg | %                  |
| NRO503-0001          | 15.00                          | 0.54                    | 0.60               |
| NRO503-0001          | 15.00                          | 0.54                    | 0.60               |

The overall framework applied for these factors is the Environmental Product Declaration (EPD), which quantifies "environmental information on the life cycle of a product and enable comparisons between products fulfilling the same function" (ISO, 2006). This follows the structure and applies a Life-Cycle Assessment approach to the entire Product stage from raw material through manufacturing (A1-A3))

**Kompan A/S**  
 C.F. Tietgens Boulevard 32C  
 DK-5220 Odense SØ  
 Denmark



### Validation of CO<sub>2</sub> calculation of: Nature play



Data version no. 2021-09-27

The CO<sub>2</sub> calculation and data are in compliance with the principles of a carbon footprint impact according to the GHG protocol (Greenhouse Gas Protocol), Scope 3, cradle to gate related to all individual components in the product category: "Nature play" represented by item no.: NRO409-0621. (Scope 3 emissions include emission sources in the upstream and downstream value chain).

**Date: 15. October 2021 | Valid until: 15. October 2023**

Validated by:

Bente Hviid, Senior Consultant

Peter Bendtsen, Senior Consultant

Validation based on report: Validation of CO<sub>2</sub> calculation of 8 categories of Kompan product line, version 1.0, prepared by: Bureau Veritas HSE, Denmark: Bente Hviid and Peter Bendtsen.

**Publication date: 15. October 2021**

By Bureau Veritas HSE  
 www.bureauveritas.dk  
 +45 7731 1000

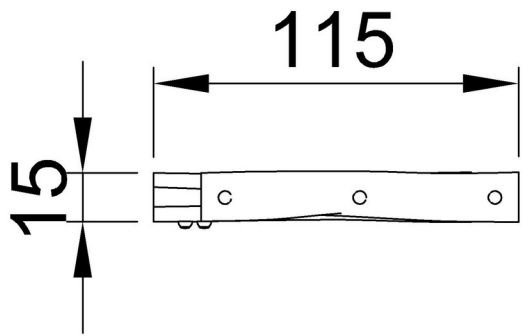


# Sand Pit, 1m

NRO503

\* Max fall height | \*\* Total height | \*\*\* Safety surfacing area

\* Max fall height | \*\* Total height



NRO503

\*\*27cm



NRO503

[Click to see TOP VIEW](#)

[Click to see SIDE VIEW](#)