

Sitting Pole

NRO209



Item no. NRO209-0601

General Product Information

Dimensions LxWxH	16x16x30 cm
Age group	1+
Play capacity (users)	1
Color options	 

Product is available as FSC® Certified (FSC® C004450) robinia wood on request.



Sitting Pole

NRO209



All Organic Robinia products by KOMPAN are made of Robinia wood from sustainable European sources. On request it can be supplied as FSC® Certified (FSC® C004450).

Item no. NRO209-0601	
Installation Information	
Max. fall height	30 cm
Safety surfacing area	7.8 m ²
Total installation time	0.9
Excavation volume	0.04 m ³
Concrete volume	0.00 m ³
Footing depth (standard)	60 cm
Shipment weight	16 kg
Anchoring options	In-ground ✓ Surface ✓
Warranty Information	





Cradle to Gate A1-A3	Total CO ₂ emission	CO ₂ e/kg	Recycled materials
	kg CO ₂ e	kg CO ₂ e/kg	%
NRO209-0601	7.00	0.54	0.20
NRO209-0601	7.00	0.54	0.20

The overall framework applied for these factors is the Environmental Product Declaration (EPD), which quantifies "environmental information on the life cycle of a product and enable comparisons between products fulfilling the same function" (ISO, 2006). This follows the structure and applies a Life-Cycle Assessment approach to the entire Product stage from raw material through manufacturing (A1-A3))

Kompan A/S
 C.F. Tietgens Boulevard 32C
 DK-5220 Odense SØ
 Denmark



Validation of CO₂ calculation of: Nature play



Data version no. 2021-09-27

The CO₂ calculation and data are in compliance with the principles of a carbon footprint impact according to the GHG protocol (Greenhouse Gas Protocol), Scope 3, cradle to gate related to all individual components in the product category: "Nature play" represented by item no.: NRO409-0621. (Scope 3 emissions include emission sources in the upstream and downstream value chain).

Date: 15. October 2021 | Valid until: 15. October 2023

Validated by:

Bente Hviid, Senior Consultant

Peter Bendtsen, Senior Consultant

Validation based on report: Validation of CO₂ calculation of 8 categories of Kompan product line, version 1.0, prepared by: Bureau Veritas HSE, Denmark: Bente Hviid and Peter Bendtsen.

Publication date: 15. October 2021

By Bureau Veritas HSE
 www.bureauveritas.dk
 +45 7731 1000

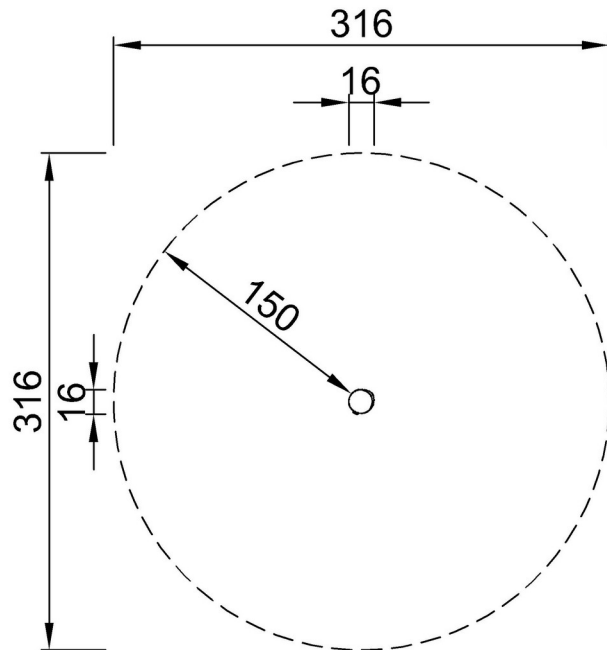


Sitting Pole

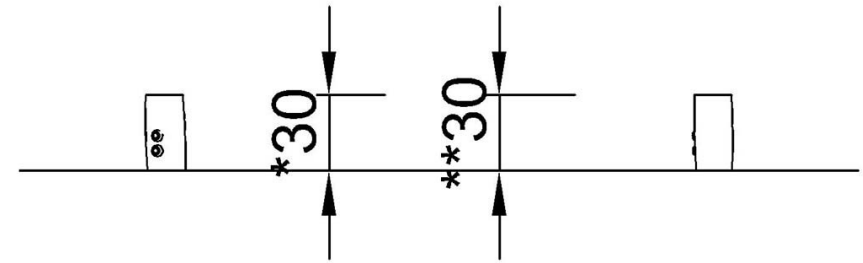
NRO209

* Max fall height | ** Total height | *** Safety surfacing area

* Max fall height | ** Total height



NRO209
*30cm
**30cm
***7.8m²



NRO209

[Click to see TOP VIEW](#)

[Click to see SIDE VIEW](#)