
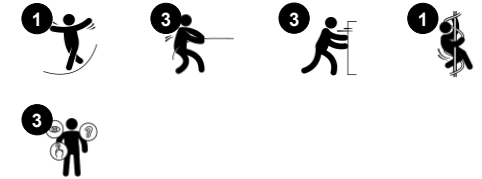


Spinner Plate

NRO110



Item no.	
General Product Information	
Dimensions LxWxH	49x49x47 cm
Age group	
Play capacity (users)	1
Colour options	



The Spinner Plate is a slick, inclined spin that attracts children immensely, again and again. The secret of the success is the immediate response to the child's movements: When the child kick off from the ground and sits, kneels or bends over the inclined Spinner Plate platform, the Spinner turns round and round. Thanks to the inclination, this is no perpetual,

unstoppable movement, but a controlled one. Children will jump on and off, running the Spinner plate to a start, building bone density, muscles and motor skills. The sense of balance is hugely stimulated when spinning. This improves the equilibrium of the child, making it possible to e.g. sit still on a chair. A well developed sense of balance supports the child

in physical actions such as running or cycling. It gives great confidence to have an efficient sense of balance.

Spinner Plate

NRO110



All Organic Robinia products by KOMPAN are made of Robinia wood from sustainable European sources. On request it can be supplied as FSC® Certified (FSC® C004450).



The steel surfaces are hot-dip galvanized inside and outside with lead-free zinc. The galvanization has excellent corrosion resistance in outside environments and requires minimal maintenance.



The Robinia wood can be supplied as untreated raw wood or painted with a brown colored transparent pigment that maintains the golden wood color of the wood.

Item no.	
Installation Information	
Max. fall height	47 cm
Safety surfacing area	13,6 m ²
Total installation time	
Excavation volume	
Concrete volume	
Footing depth (standard)	
Shipment weight	
Anchoring options	In-ground ✓ Surface ✓
Warranty Information	
Robinia Wood	15 years
Hot dip galvanized steel	Lifetime
Handle	10 years
Spare parts guaranteed	10 years





Cradle to Gate A1-A3	Total CO ₂ emission	CO ₂ e/kg	Recycled materials
	kg CO ₂ e	kg CO ₂ e/kg	%

The overall framework applied for these factors is the Environmental Product Declaration (EPD), which quantifies "environmental information on the life cycle of a product and enable comparisons between products fulfilling the same function" (ISO, 2006). This follows the structure and applies a Life-Cycle Assessment approach to the entire Product stage from raw material through manufacturing (A1-A3))

Kompan A/S
 C.F. Tietgens Boulevard 32C
 DK-5220 Odense SØ
 Denmark



Validation of CO₂ calculation of: Nature play



Data version no. 2021-09-27

The CO₂ calculation and data are in compliance with the principles of a carbon footprint impact according to the GHG protocol (Greenhouse Gas Protocol), Scope 3, cradle to gate related to all individual components in the product category: "Nature play" represented by item no.: NRO409-0621. (Scope 3 emissions include emission sources in the upstream and downstream value chain).

Date: 15. October 2021 | Valid until: 15. October 2023

Validated by:

Bente Hviid, Senior Consultant

Peter Bendtsen, Senior Consultant

Validation based on report: Validation of CO₂ calculation of 8 categories of Kompan product line, version 1.0, prepared by: Bureau Veritas HSE, Denmark: Bente Hviid and Peter Bendtsen.

Publication date: 15. October 2021

By Bureau Veritas HSE
 www.bureauveritas.dk
 +45 7731 1000

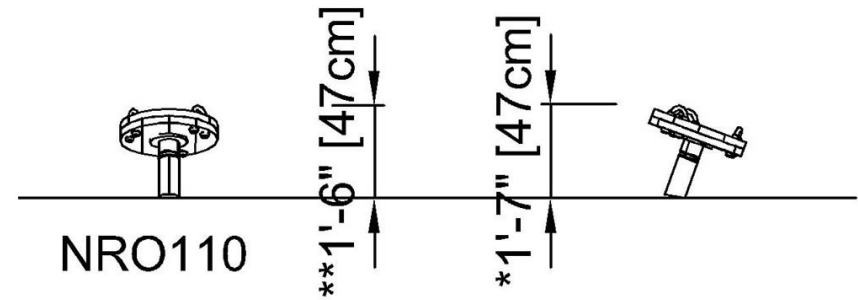
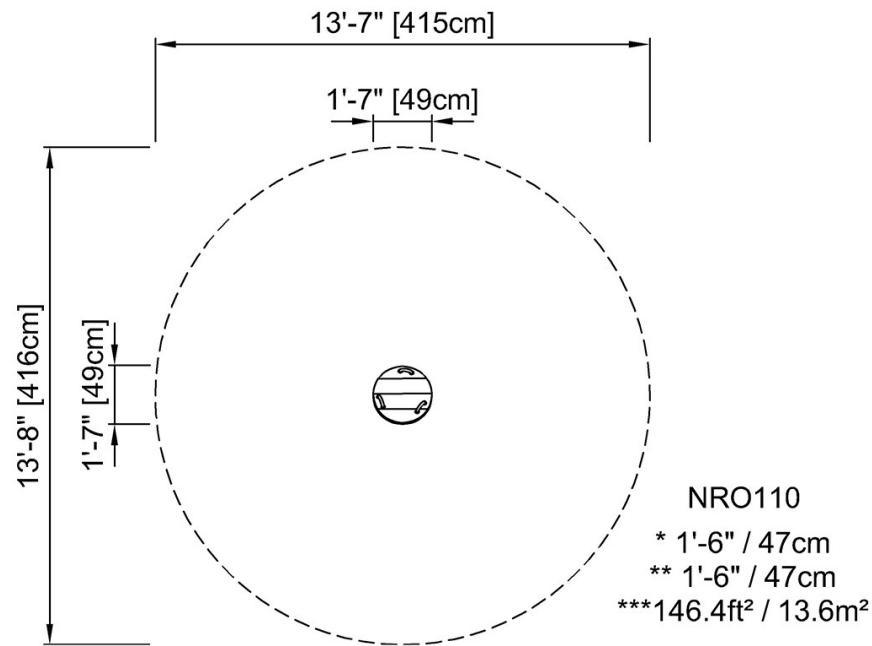


Spinner Plate

NRO110

* Max fall height | ** Total height | *** Safety surfacing area

* Max fall height | ** Total height



[Click to see TOP VIEW](#)

[Click to see SIDE VIEW](#)