

Somersault, 3 Bars

M871



Item no. M87101-3717

General Product Information

Dimensions LxWxH	329x26x130 cm
Age group	4+
Play capacity (users)	3
Color options	●



The Somersault, 3 Bars, is an all-time play favourite in a cool new dressing. It is irresistible to children, and their parents. The Somersault, 3 Bars makes cooperation and sharing possible, within three varied heights. They accommodate more users and different age and ability levels. The Somersault, 3 Bars, caters for a range of play activities: hanging by

the arms, swaying, training upper body muscles. Sitting on the bars with friends, sharing, and using socio-emotional skills. Or, somersaulting. Somersaulting on the Somersault, 3 Bars, helps to train children's proprioception: the awareness of where body parts are and how to coordinate movements to fit a space. It trains the sense of balance, too,

enabling the child's secure navigation of the surroundings. Last, but not least, it is great training for major muscle groups.



Somersault, 3 Bars

M871



The steel surfaces are hot dip galvanised inside and outside with lead free zinc. The galvanisation has excellent corrosion resistance in outside environments and requires low maintenance.

Item no. M87101-3717	
Installation Information	
Max. fall height	122 cm
Safety surfacing area	18.4 m ²
Total installation time	1.9
Excavation volume	0.32 m ³
Concrete volume	0.18 m ³
Footing depth (standard)	90 cm
Shipment weight	44 kg
Anchoring options	In-ground ✓ Surface ✓
Warranty Information	





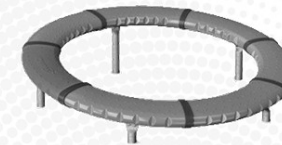
Cradle to Gate A1-A3	Total CO ₂ emission	CO ₂ e/kg	Recycled materials
	kg CO ₂ e	kg CO ₂ e/kg	%
M87101-3717	126.40	2.88	49.50

The overall framework applied for these factors is the Environmental Product Declaration (EPD), which quantifies "environmental information on the life cycle of a product and enable comparisons between products fulfilling the same function" (ISO, 2006). This follows the structure and applies a Life-Cycle Assessment approach to the entire Product stage from raw material through manufacturing (A1-A3))

Kompan A/S
 C.F. Tietgens Boulevard 32C
 DK-5220 Odense SØ
 Denmark



Validation of CO₂ calculation of: Freestanding play equipment



Data version no. 2021-09-27

The CO₂ calculation and data are in compliance with the principles of a carbon footprint impact according to the GHG protocol (Greenhouse Gas Protocol), Scope 3, cradle to gate related to all individual components in the product category: "Freestanding play equipment" represented by item no.: GXY916012-3417.

(Scope 3 emissions include emission sources in the upstream and downstream value chain).

Date: 15. October 2021 | Valid until: 15. October 2023

Validated by:

Bente Hviid, Senior Consultant

Peter Bendtsen, Senior Consultant

Validation based on report: Validation of CO₂ calculation of 8 categories of Kompan product line, version 1.0, prepared by: Bureau Veritas HSE, Denmark: Bente Hviid and Peter Bendtsen.

Publication date: 15. October 2021

By Bureau Veritas HSE
 www.bureauveritas.dk
 +45 7731 1000

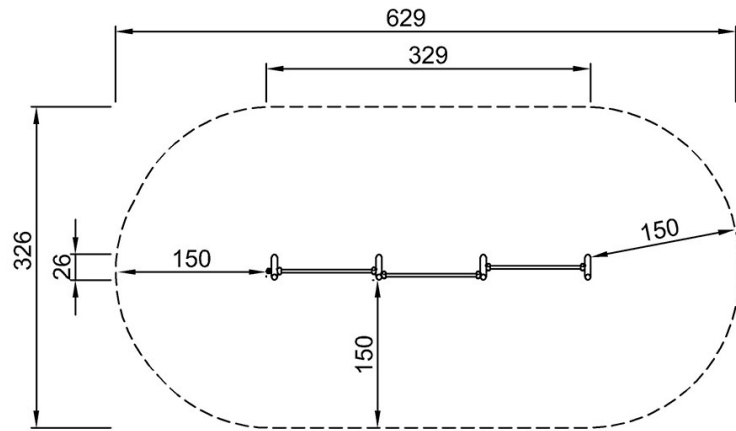


Somersault, 3 Bars

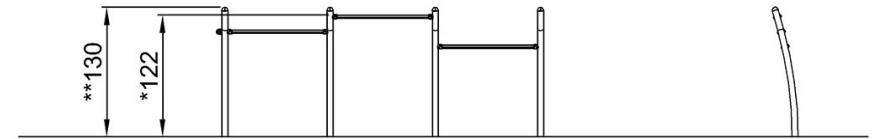
M871

* Max fall height | ** Total height | *** Safety surfacing area

* Max fall height | ** Total height



M87101
*122cm
**130cm
***18.4m²



M87101

[Click to see TOP VIEW](#)

[Click to see SIDE VIEW](#)