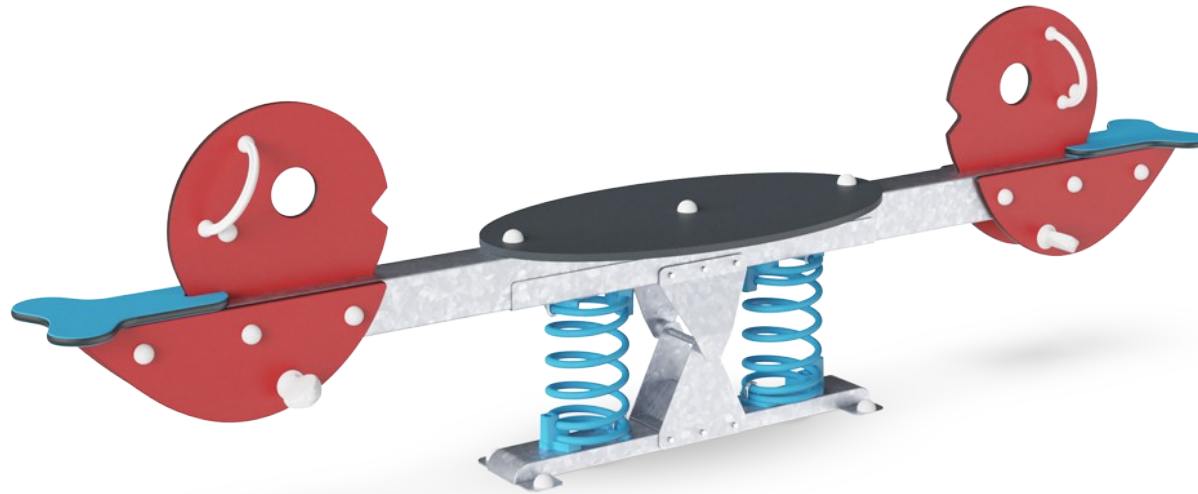


# Albatross

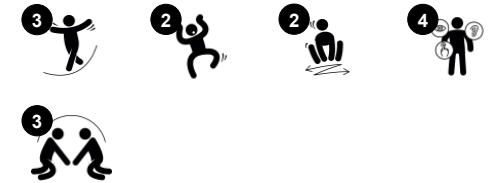
M143



Item no. M14374-01P

## General Product Information

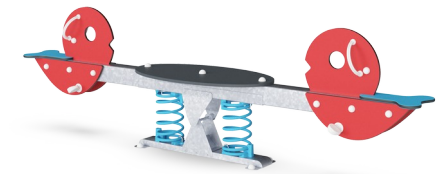
Dimensions LxWxH	55x310x92 cm
Age group	2 - 12
Play capacity (users)	4
Colour options	



The classic Albatross seesaw motivates children to join in play, rocking together. The whimsical design, a KOMPAN classic, attracts children. The sturdy hand and foot support allow for mild and wild rocking. The spring base makes it possible for different ages, even adult and children, to rock together. Risk seekers can stand on the middle platform, sensing the

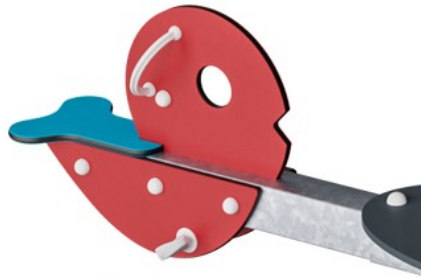
movement of the others. The platform also allows for socializing, lying or sitting. There is room enough for a caregiver, too. The seats at the end are big enough for older children as well as adults. The fun thrill of rocking, individually, or in pairs or groups, will make children play for longer. Rocking on the Albatross trains the children's muscles and

motor skills, e.g. balance and coordination. The Albatross supports development of social-emotional skills as well, like cooperation, consideration and taking turns.

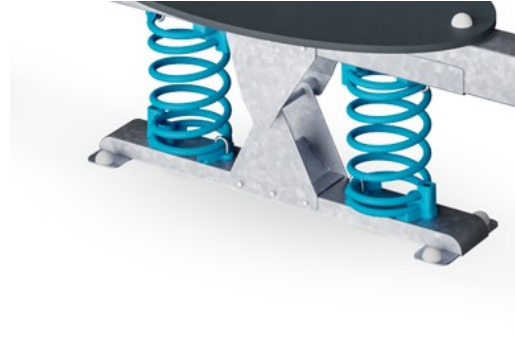


# Albatross

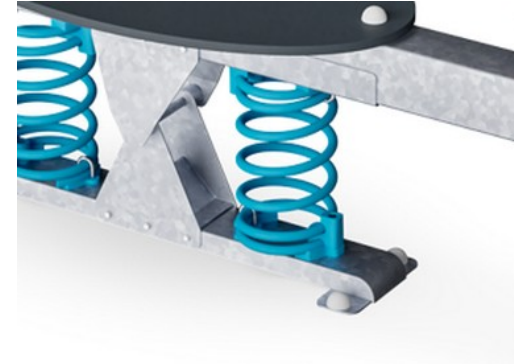
M143



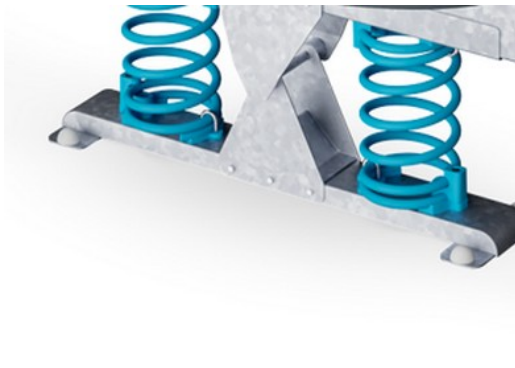
Panels of 19mm EcoCore™. EcoCore™ is a highly durable, eco friendly material, which is not only recyclable after use, but also consists of a core produced from 100% recycled material.



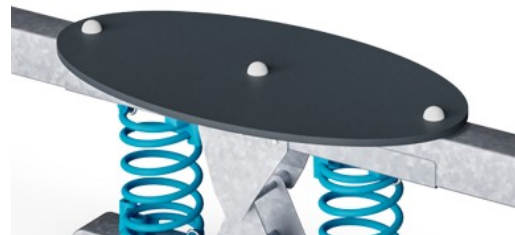
KOMPAN Springs are made of high quality spring steel according to EN10270. The springs are cleaned by phosphating before they are painted with an epoxy primer and a polyester powder coating as top finish. The springs are fixed by unique anti pinch fittings for maximum safety and long lifetime.



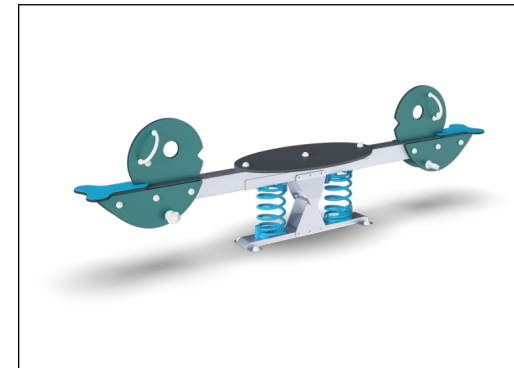
The springs are fixed by unique anti pinch fittings for maximum safety and long lifetime.



The steel support posts are hot dip galvanized inside and outside with lead free zinc. The galvanization has excellent corrosion resistance in outside environments and requires low maintenance.



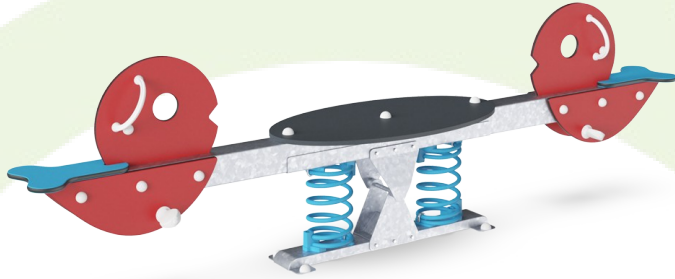
Platform and seats are made of HPL with a thickness of 17.8mm with a very high wearing strength and a unique KOMPAN nonskid surface texture.



KOMPAN GreenLine versions are designed with the most environmentally friendly materials with the lowest possible CO2e emission factor such as EcoCore™ panels of 100% post-consumer recycled ocean waste.

Item no. M14374-01P	
Installation Information	
Max. fall height	100 cm
Safety surfacing area	25,6 m <sup>2</sup>
Total installation time	4,4
Excavation volume	0,42 m <sup>3</sup>
Concrete volume	0,00 m <sup>3</sup>
Footing depth (standard)	42 cm
Shipment weight	126 kg
Anchoring options	In-ground ✓ Surface ✓
Warranty Information	
EcoCore HDPE	Lifetime
Springs	5 years
HPL platform	15 years
Hot dip galvanized steel	Lifetime
Spare parts guaranteed	10 years





Cradle to Gate A1-A3	Total CO <sub>2</sub> emission	CO <sub>2</sub> e/kg	Recycled materials
	kg CO <sub>2</sub> e	kg CO <sub>2</sub> e/kg	%
M14374-01P	269,90	2,23	42,60
M14375-01P	261,80	2,16	45,10

The overall framework applied for these factors is the Environmental Product Declaration (EPD), which quantifies "environmental information on the life cycle of a product and enable comparisons between products fulfilling the same function" (ISO, 2006). This follows the structure and applies a Life-Cycle Assessment approach to the entire Product stage from raw material through manufacturing (A1-A3))

**Kompan A/S**  
 C.F. Tietgens Boulevard 32C  
 DK-5220 Odense SØ  
 Denmark



### Validation of CO<sub>2</sub> calculation of: Freestanding play equipment



Data version no. 2021-09-27

The CO<sub>2</sub> calculation and data are in compliance with the principles of a carbon footprint impact according to the GHG protocol (Greenhouse Gas Protocol), Scope 3, cradle to gate related to all individual components in the product category: "Freestanding play equipment" represented by item no.: GXY916012-3417.

(Scope 3 emissions include emission sources in the upstream and downstream value chain).

**Date: 15. October 2021 | Valid until: 15. October 2023**

**Validated by:**

Bente Hviid, Senior Consultant

Peter Bendtsen, Senior Consultant

Validation based on report: Validation of CO<sub>2</sub> calculation of 8 categories of Kompan product line, version 1.0, prepared by: Bureau Veritas HSE, Denmark: Bente Hviid and Peter Bendtsen.

**Publication date: 15. October 2021**

By Bureau Veritas HSE  
 www.bureauveritas.dk  
 +45 7731 1000

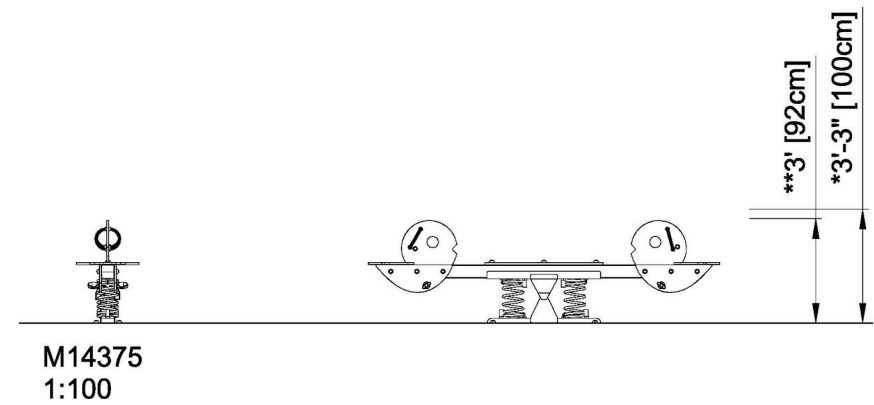
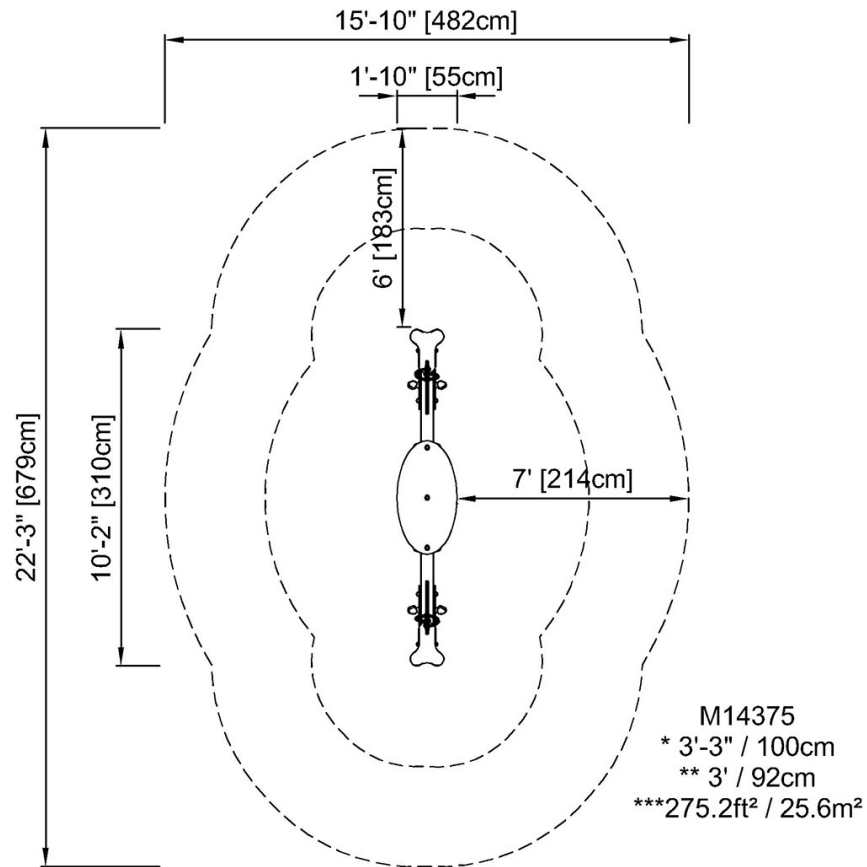


# Albatross

M143

\* Max fall height | \*\* Total height | \*\*\* Safety surfacing area

\* Max fall height | \*\* Total height



[Click to see TOP VIEW](#)

[Click to see SIDE VIEW](#)