

Gander

M106



The amazing Crazy Gander should be in all playgrounds. Children seek it out to rock and play again and again. The Crazy Gander is truly universal design: the back, calf and foot supports, the shelter of the seat sides and the vertical handholds make it accessible and usable for all. Children rock the Crazy Gander using their leg, arm and core muscles to

coordinate movements and set it into motion. Alternatively, the spring will move when children stem their back into the seat, without using leg muscles. The hand-holds support a relevant grip height for all. Rocking the Crazy Gander supports the senses of balance and space, that are fundamental for body confidence and movement control. The spring's

response to movement builds an understanding of cause-and-effect. It supports logical thinking, a fundamental cognitive skill.



Item no. M10670-01P

General Product Information

Dimensions LxWxH	54x83x78 cm
Age group	2 - 5
Play capacity (users)	1
Colour options	



Gander

M106



Panels of 19mm EcoCore™. EcoCore™ is a highly durable, eco friendly material, which is not only recyclable after use, but also consists of a core produced from 100% recycled material.



KOMPAN Springs are made of high quality spring steel according to EN10270. The springs are cleaned by phosphating before they are painted with an epoxy primer and a polyester powder coating as top finish. The springs are fixed by unique anti pinch fittings for maximum safety and long lifetime.



The springs are fixed by unique anti pinch fittings for maximum safety and long lifetime.

Item no. M10670-01P	
Installation Information	
Max. fall height	46 cm
Safety surfacing area	16,3 m ²
Total installation time	3,2
Excavation volume	0,19 m ³
Concrete volume	0,00 m ³
Footing depth (standard)	45 cm
Shipment weight	46 kg
Anchoring options	In-ground ✓ Surface ✓
Warranty Information	
EcoCore HDPE	Lifetime
Hot dip galvanized steel	Lifetime
Springs	5 years
Spare parts guaranteed	10 years



Seat is made of HPL with a thickness of 17.8mm with a very high wearing strength and a unique KOMPAN nonskid surface texture.



Rock wall handholds are made of pressure molded high quality nylon (PA6). PA6 has good wearing and impact strength.



Back support is made of PUR. All components retain their properties in the temperature range of -30°C to 60°C. All materials are UV stabilised to a maximum without use of heavy metal stabilisers.





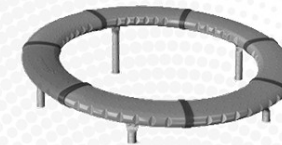
Cradle to Gate A1-A3	Total CO ₂ emission	CO ₂ e/kg	Recycled materials
	kg CO ₂ e	kg CO ₂ e/kg	%
M10670-01P	98,70	2,45	43,80

The overall framework applied for these factors is the Environmental Product Declaration (EPD), which quantifies "environmental information on the life cycle of a product and enable comparisons between products fulfilling the same function" (ISO, 2006). This follows the structure and applies a Life-Cycle Assessment approach to the entire Product stage from raw material through manufacturing (A1-A3))

Kompan A/S
 C.F. Tietgens Boulevard 32C
 DK-5220 Odense SØ
 Denmark



Validation of CO₂ calculation of: Freestanding play equipment



Data version no. 2021-09-27

The CO₂ calculation and data are in compliance with the principles of a carbon footprint impact according to the GHG protocol (Greenhouse Gas Protocol), Scope 3, cradle to gate related to all individual components in the product category: "Freestanding play equipment" represented by item no.: GXY916012-3417.

(Scope 3 emissions include emission sources in the upstream and downstream value chain).

Date: 15. October 2021 | Valid until: 15. October 2023

Validated by:

Bente Hviid, Senior Consultant

Peter Bendtsen, Senior Consultant

Validation based on report: Validation of CO₂ calculation of 8 categories of Kompan product line, version 1.0, prepared by: Bureau Veritas HSE, Denmark: Bente Hviid and Peter Bendtsen.

Publication date: 15. October 2021

By Bureau Veritas HSE
 www.bureauveritas.dk
 +45 7731 1000

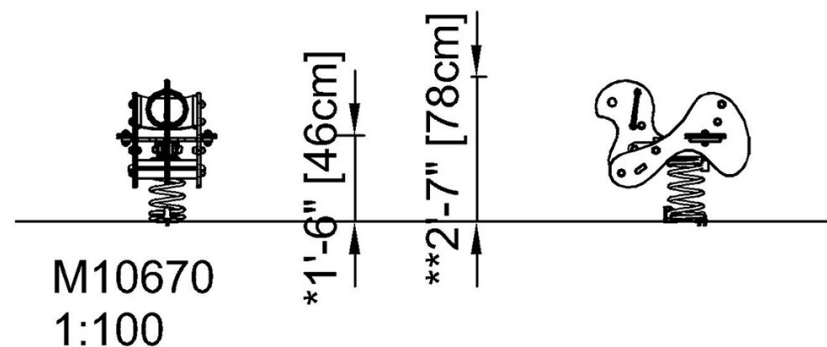
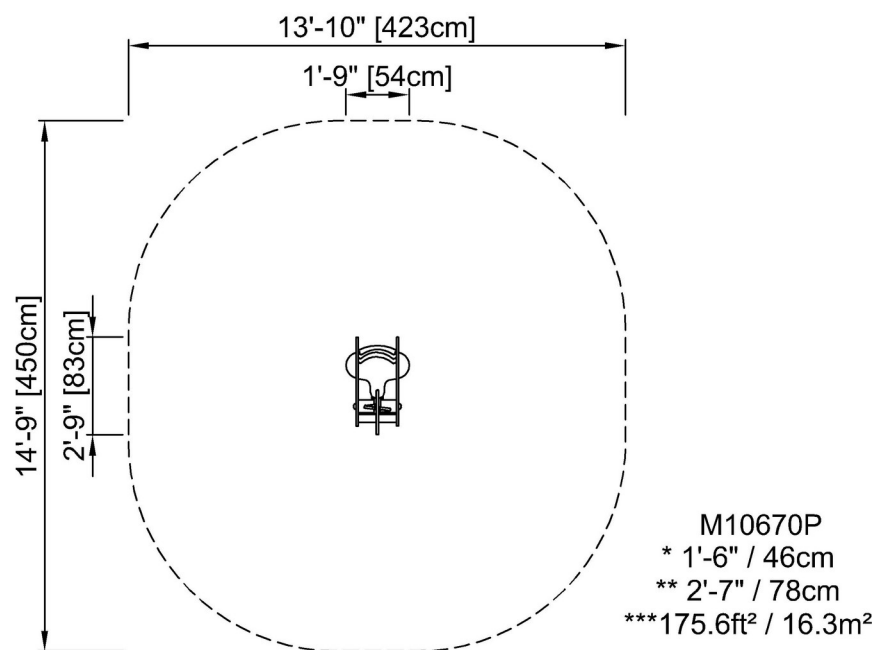


Gander

M106

* Max fall height | ** Total height | *** Safety surfacing area

* Max fall height | ** Total height



[Click to see TOP VIEW](#)

[Click to see SIDE VIEW](#)