

Hand Bike

KPX130



Item no. KPX130-3617	
General Product Information	
Dimensions LxWxH	48x100x120 cm
Age group	13+
Play capacity (users)	1
Color options	● ●

The Hand Bike is an excellent way to improve your cardiovascular fitness and this one is designed especially accessible for people with physical disabilities. The Hand Bike can suit both those looking for a warm-up, as they get ready for further exercise on other equipment, and those looking for a full aerobic workout. Improved cardiovascular fitness gives you

increased energy and a better health. The Hand Bike was designed in a way that wheelchair users can easily do the exercise from the open side of the Hand Bike. The handles are at the correct height and offer multiple grips.



Hand Bike

KPX130



For ensuring the integrity of the main frame the support post is made of a hot-dip galvanised steel tube of $\varnothing 159\text{mm}$, with a wall thickness of 4mm and has a post cap made of powder-coated aluminium.



The sign consists of a 1.5mm aluminium plate with serigraphy print, sealed by a subsequent anodizing process, screwed on to a machined plate of 19mm EcoCore™.



Wheel cover is made of vacuum formed RPC (Recycled Polycarbonate). This is a very strong and sustainable way of creating nicely designed products like the wheel cover.

Item no. KPX130-3617	
Installation Information	
Max. fall height	51 cm
Safety surfacing area	11.0 m ²
Total installation time	3.1
Excavation volume	0.52 m ³
Concrete volume	0.29 m ³
Footing depth (standard)	90 cm
Shipment weight	100 kg
Anchoring options	In-ground ✓ Surface ✓
Warranty Information	



Panels of 19mm EcoCore™. EcoCore™ is a highly durable, eco friendly material, which is not only recyclable after use, but also consists of a core produced from 100% recycled post consumer material from food packing waste.



Handholds are moulded of thermoplastic rubber (TPV). TPV is highly durable against wear and tear, offers isolation and simultaneously gives users an outstanding grip during their workout.



The Crank has a stainless steel AISI 304 shaft and two ball bearings. This will provide a smooth movement, even in the toughest circumstances.





Cradle to Gate A1-A3	Total CO ₂ emission	CO ₂ e/kg	Recycled materials
	kg CO ₂ e	kg CO ₂ e/kg	%
KPX130-3617	185.10	2.62	50.20

The overall framework applied for these factors is the Environmental Product Declaration (EPD), which quantifies "environmental information on the life cycle of a product and enable comparisons between products fulfilling the same function" (ISO, 2006). This follows the structure and applies a Life-Cycle Assessment approach to the entire Product stage from raw material through manufacturing (A1-A3))

Kompan A/S
 C.F. Tietgens Boulevard 32C
 DK-5220 Odense SØ
 Denmark



Validation of CO₂ calculation of: Fitness



Data version no. 2021-09-27

The CO₂ calculation and data are in compliance with the principles of a carbon footprint impact according to the GHG protocol (Greenhouse Gas Protocol), Scope 3, cradle to gate related to all individual components in the product category: "Fitness" represented by item no.: FAZ10100-0900 (Scope 3 emissions include emission sources in the upstream and downstream value chain).

Date: 15. October 2021 | Valid until: 15. October 2023

Validated by:

Bente Hviid, Senior Consultant

Peter Bendtsen, Senior Consultant

Validation based on report: Validation of CO₂ calculation of 8 categories of Kompan product line, version 1.0, prepared by: Bureau Veritas HSE, Denmark: Bente Hviid and Peter Bendtsen.

Publication date: 15. October 2021

By Bureau Veritas HSE
 www.bureauveritas.dk
 +45 7731 1000

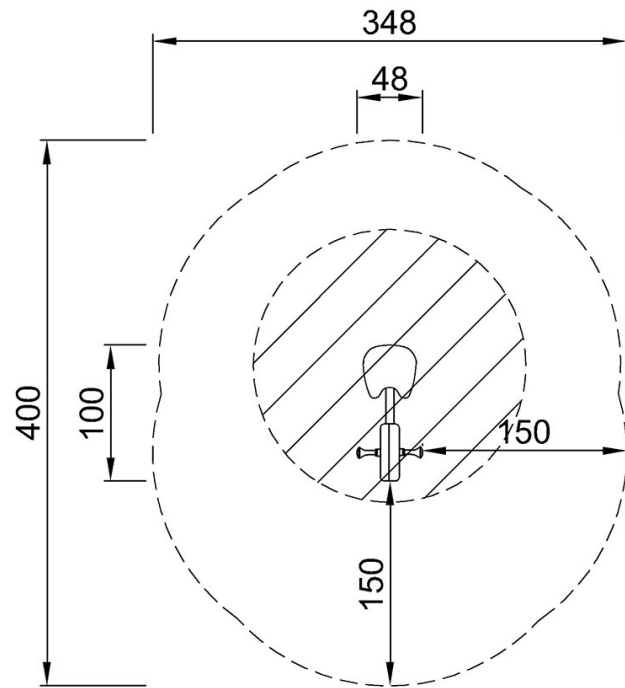


Hand Bike

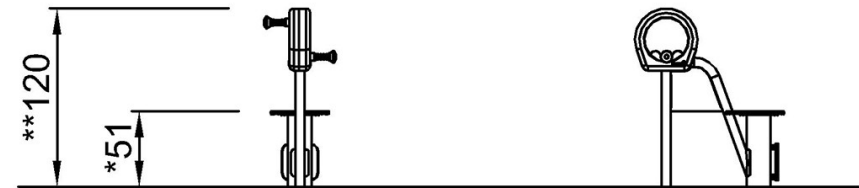
KPX130

* Max fall height | ** Total height | *** Safety surfacing area

* Max fall height | ** Total height



KPX130
*51cm
**120cm
***11m²



KPX130-xx17
1:100

[Click to see TOP VIEW](#)

[Click to see SIDE VIEW](#)