

Push Up Bars

KPX126



Item no. KPX126-3617

General Product Information

Dimensions LxWxH	77x172x159 cm
Age group	13+
Play capacity (users)	2
Color options	

The Push Up Bars are created for maximum strengthening of the shoulder area. Standing between the handles you simply take a hold and start lifting yourself. Strength is vital for our overall health. The Push Up Bars train your shoulders, chest, upper back and triceps – and thereby profoundly improve your overall strength in the upper body with simple and

efficient methods that are entirely in your control during the exercise. Your own body weight defines the intensity of the exercise, so even without prior experience, users will quickly become comfortable with this type of training. The KPX 126 is also an excellent piece of equipment for ab workouts, it allows users to exercise their abdominal muscles by

performing leg lifts while holding themselves up in the chair. Exercising in this manner targets all of the abdominal muscles.



Push Up Bars

KPX126



For ensuring the integrity of the main frame the support post is made of a hot-dip galvanised steel tube of $\varnothing 159\text{mm}$, with a wall thickness of 4mm and has a post cap made of powder-coated aluminium.



The sign consists of a 1.5mm aluminium plate with serigraphy print, sealed by a subsequent anodizing process, screwed on to a machined plate of 19mm EcoCore™.



Panels of 19mm EcoCore™. EcoCore™ is a highly durable, eco friendly material, which is not only recyclable after use, but also consists of a core produced from 100% recycled post consumer material from food packing waste.



The support bar is made of a hot-dip galvanised steel tube $\varnothing 38\text{mm}$ with a wall thickness of 4mm. A strong connection which is necessary to withstand the forces that are created during this movement.



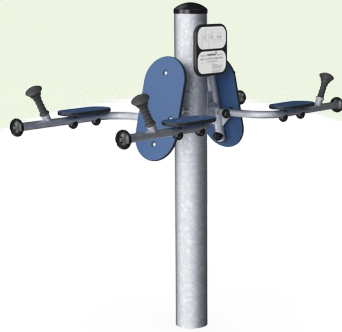
Handholds are moulded of thermoplastic rubber (TPV). TPV is highly durable against wear and tear, offers isolation and simultaneously gives users an outstanding grip during their workout.



End caps are made of injection moulded PA6 (polyamide - Nylon). A great protection to all conditions.

Item no. KPX126-3617	
Installation Information	
Max. fall height	0 cm
Safety surfacing area	14.8 m ²
Total installation time	4.6
Excavation volume	0.35 m ³
Concrete volume	0.21 m ³
Footing depth (standard)	82 cm
Shipment weight	81 kg
Anchoring options	In-ground <input checked="" type="checkbox"/> Surface <input checked="" type="checkbox"/>
Warranty Information	





Cradle to Gate A1-A3	Total CO ₂ emission	CO ₂ e/kg	Recycled materials
	kg CO ₂ e	kg CO ₂ e/kg	%
KPX126-3617	185.80	2.60	51.70

The overall framework applied for these factors is the Environmental Product Declaration (EPD), which quantifies "environmental information on the life cycle of a product and enable comparisons between products fulfilling the same function" (ISO, 2006). This follows the structure and applies a Life-Cycle Assessment approach to the entire Product stage from raw material through manufacturing (A1-A3))

Kompan A/S
 C.F. Tietgens Boulevard 32C
 DK-5220 Odense SØ
 Denmark



Validation of CO₂ calculation of: Fitness



Data version no. 2021-09-27

The CO₂ calculation and data are in compliance with the principles of a carbon footprint impact according to the GHG protocol (Greenhouse Gas Protocol), Scope 3, cradle to gate related to all individual components in the product category: "Fitness" represented by item no.: FAZ10100-0900 (Scope 3 emissions include emission sources in the upstream and downstream value chain).

Date: 15. October 2021 | Valid until: 15. October 2023

Validated by:

Bente Hviid, Senior Consultant

Peter Bendtsen, Senior Consultant

Validation based on report: Validation of CO₂ calculation of 8 categories of Kompan product line, version 1.0, prepared by: Bureau Veritas HSE, Denmark: Bente Hviid and Peter Bendtsen.

Publication date: 15. October 2021

By Bureau Veritas HSE
 www.bureauveritas.dk
 +45 7731 1000

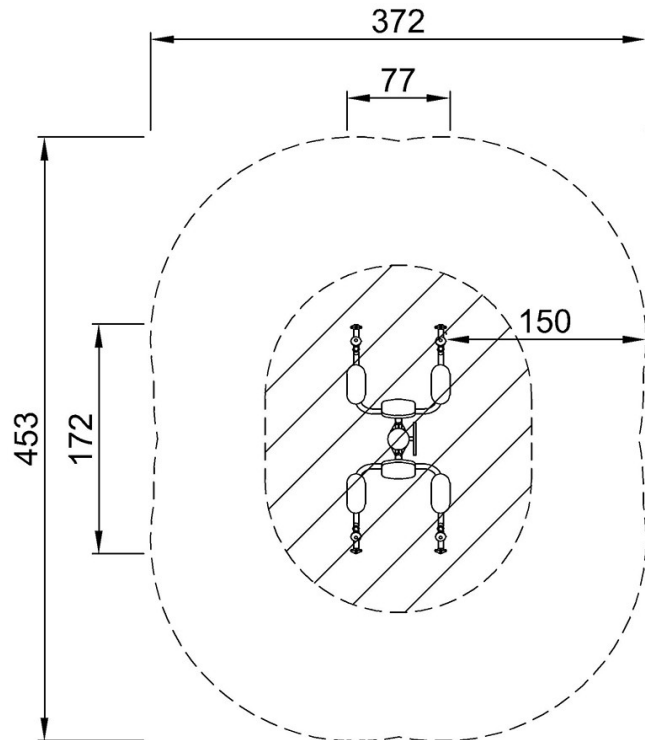


Push Up Bars

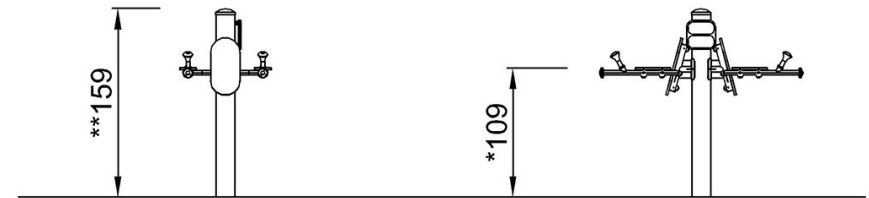
KPX126

* Max fall height | ** Total height | *** Safety surfacing area

* Max fall height | ** Total height



KPX126
*109cm
**159cm
***14.8m²



KPX126
1:100

[Click to see TOP VIEW](#)

[Click to see SIDE VIEW](#)