

Combi 4 Robinia

FRO104

KOMPAN
Let's play



Compact and complete street workout and calisthenics combination for training and competition. It features an incline bench, parallel bars, push up bar, decline press, Swedish ladder, human flagpole and pull up station. Seven workout stations in one, and all within only 41 m². The 138cm wide pull up bars are designed to give plenty of space for

dynamic exercises and promote sideways exercises such as the typewriter pull up. The wide bars also allow for users to do pull ups next to each other and thereby compete or motivate each other.

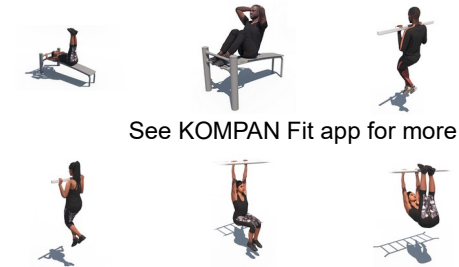
The Robinia bars are made from de-barked and sap free Robinia trunks in various dimensions. Robinia is a native European

wood species with high strength and natural durability in various climatic conditions. KOMPAN uses wood from FSC-certified sources.

Item no. FRO10400-1001

General Product Information

Dimensions LxWxH	390x441x261 cm
Age group	13+
Play capacity (users)	8
Color options	



See KOMPAN Fit app for more



Combi 4 Robinia

FRO104



All Organic Robinia products by KOMPAN are made of Robinia wood from sustainable European sources. On request it can be supplied as FSC® Certified (FSC® C004450).

The Robinia wood can be supplied as untreated raw wood or painted with a brown coloured transparent pigment that maintains the golden wood colour of the wood.



The pull up bar is made from Ø32 mm HDG steel bar. The bar is 1080mm wide and 2300mm above ground

Item no. FRO10400-1001

Installation Information

Max. fall height	233 cm
Safety surfacing area	42.4 m ²
Total installation time	15.4
Excavation volume	1.61 m ³
Concrete volume	0.41 m ³
Footing depth (standard)	100 cm
Shipment weight	815 kg
Anchoring options	

Warranty Information



The surface is made of Ekogrip™ panels, consisting of 15mm polyethylene with a 3mm top-layer of thermoplastic rubber. The Ekogrip™ panels have a non-skid effect for comfortable and safe training at all weather circumstances.



All KOMPAN fitness products are compliant with the ASTM F3101 & EN16630 Outdoor Fitness Standards. Load tests are performed as a static test by adding dynamic factors as well as safety factors to the specified load of 78kg per user. A product intended for 1 user is loaded with 420kg.



Combi 4 Robinia

FRO104



Cradle to Gate A1-A3	Total CO ₂ emission	CO ₂ e/kg	Recycled materials
	kg CO ₂ e	kg CO ₂ e/kg	%
FRO10400-1001	510.10	0.85	7.00

The overall framework applied for these factors is the Environmental Product Declaration (EPD), which quantifies "environmental information on the life cycle of a product and enable comparisons between products fulfilling the same function" (ISO, 2006). This follows the structure and applies a Life-Cycle Assessment approach to the entire Product stage from raw material through manufacturing (A1-A3)

Kompan A/S
C.F. Tietgens Boulevard 32C
DK-5220 Odense SØ
Denmark



Validation of CO₂ calculation of: Fitness



Data version no. 2021-09-27

The CO₂ calculation and data are in compliance with the principles of a carbon footprint impact according to the GHG protocol (Greenhouse Gas Protocol), Scope 3, cradle to gate related to all individual components in the product category: "Fitness" represented by item no.: FAZ10100-0900 (Scope 3 emissions include emission sources in the upstream and downstream value chain).

Date: 15. October 2021 | Valid until: 15. October 2023

Validated by:

Bente Hviid, Senior Consultant

Peter Bendtsen, Senior Consultant

Validation based on report: Validation of CO₂ calculation of 8 categories of Kompan product line, version 1.0, prepared by: Bureau Veritas HSE, Denmark: Bente Hviid and Peter Bendtsen.

Publication date: 15. October 2021

By Bureau Veritas HSE
www.bureauveritas.dk
+45 7731 1000

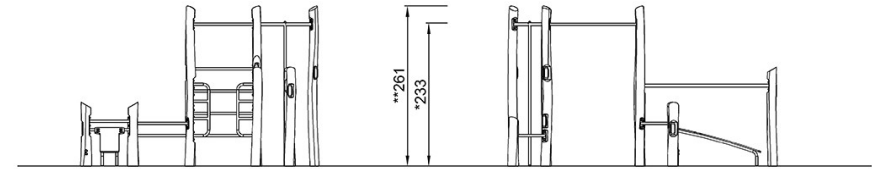
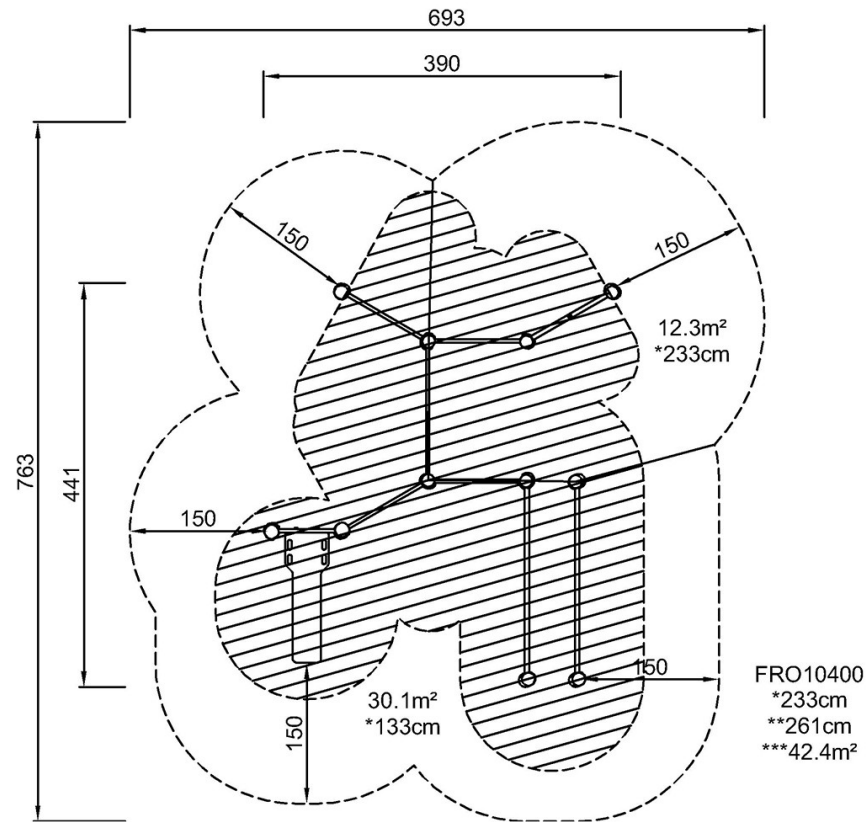


Combi 4 Robinia

FRO104

* Max fall height | ** Total height | *** Safety surfacing area

* Max fall height | ** Total height



FRO10400

[Click to see TOP VIEW](#)

[Click to see SIDE VIEW](#)