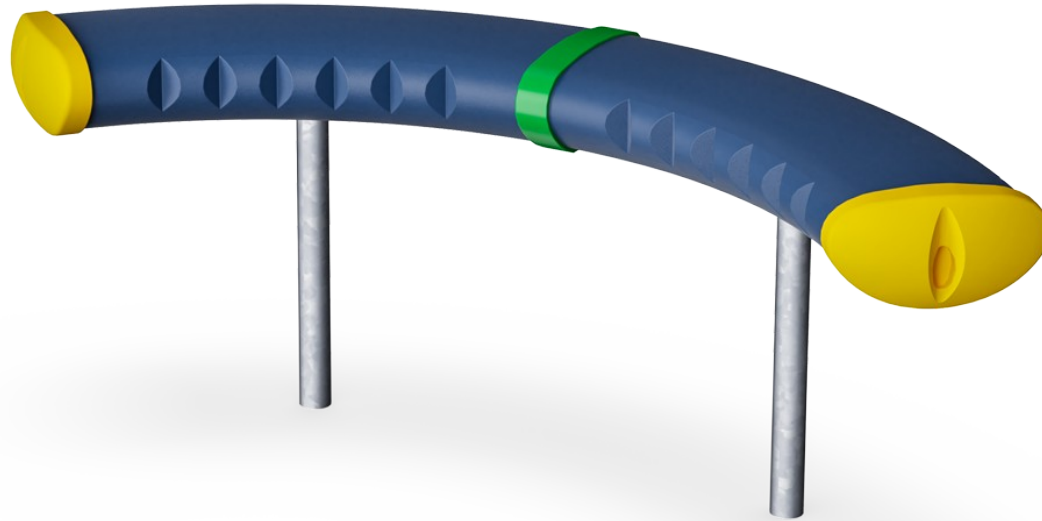



# Crescent 60

FRE3011



Item no. FRE3011-3417	
<b>General Product Information</b>	
Dimensions LxWxH	127x108x61 cm
Age group	3+
Play capacity (users)	-
Colour options	

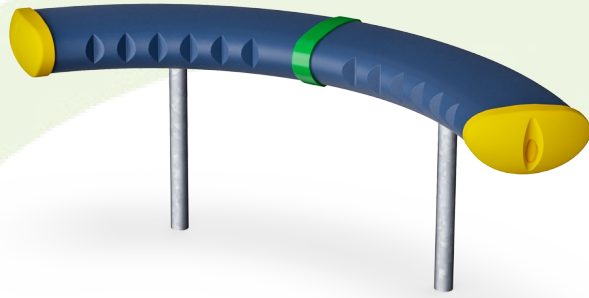


The Crescent is a backless bench with a contemporary architectural style.

# Crescent 60

FRE3011

Item no. FRE3011-3417	
<b>Installation Information</b>	
Max. fall height	0 cm
Safety surfacing area	0,0 m <sup>2</sup>
Total installation time	1,9
Excavation volume	0,29 m <sup>3</sup>
Concrete volume	0,10 m <sup>3</sup>
Footing depth (standard)	60 cm
Shipment weight	32 kg
Anchoring options	In-ground ✓ Surface ✓
<b>Warranty Information</b>	



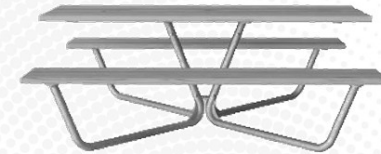
Cradle to Gate A1-A3	Total CO <sub>2</sub> emission	CO <sub>2</sub> e/kg	Recycled materials
	kg CO <sub>2</sub> e	kg CO <sub>2</sub> e/kg	%
<b>FRE3011-3417</b>	72,70	2,27	25,50
<b>FRE3011-3417DT</b>	70,10	2,19	31,90

The overall framework applied for these factors is the Environmental Product Declaration (EPD), which quantifies "environmental information on the life cycle of a product and enable comparisons between products fulfilling the same function" (ISO, 2006). This follows the structure and applies a Life-Cycle Assessment approach to the entire Product stage from raw material through manufacturing (A1-A3))

**Kompan A/S**  
 C.F. Tietgens Boulevard 32C  
 DK-5220 Odense SØ  
 Denmark



### Validation of CO<sub>2</sub> calculation of: Park



Data version no. 2021-09-27

The CO<sub>2</sub> calculation and data are in compliance with the principles of a carbon footprint impact according to the GHG protocol (Greenhouse Gas Protocol), Scope 3, cradle to gate related to all individual components in the product category: "Park" represented by item no.: PAR4070-0001. (Scope 3 emissions include emission sources in the upstream and downstream value chain).

**Date: 15. October 2021 | Valid until: 15. October 2023**

**Validated by:**

Bente Hviid, Senior Consultant

Peter Bendtsen, Senior Consultant

Validation based on report: Validation of CO<sub>2</sub> calculation of 8 categories of Kompan product line, version 1.0, prepared by: Bureau Veritas HSE, Denmark: Bente Hviid and Peter Bendtsen.

**Publication date: 15. October 2021**

**By Bureau Veritas HSE**  
 www.bureauveritas.dk  
 +45 7731 1000

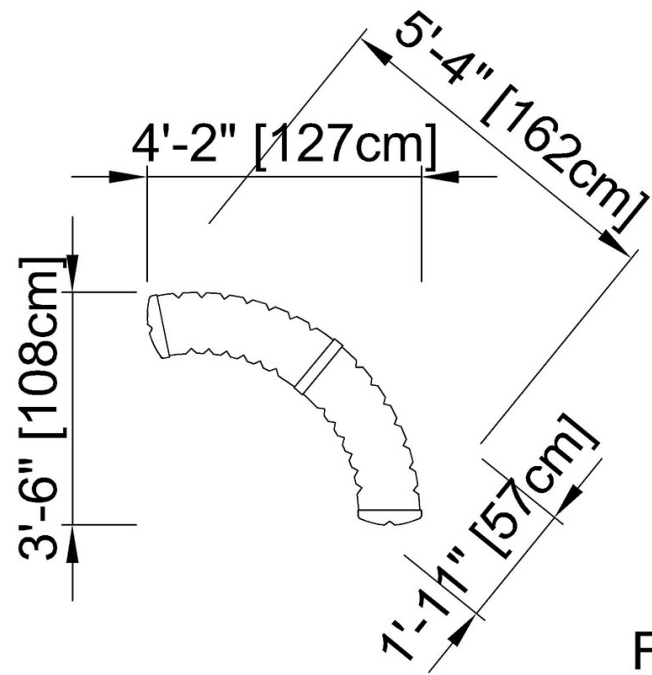


# Crescent 60

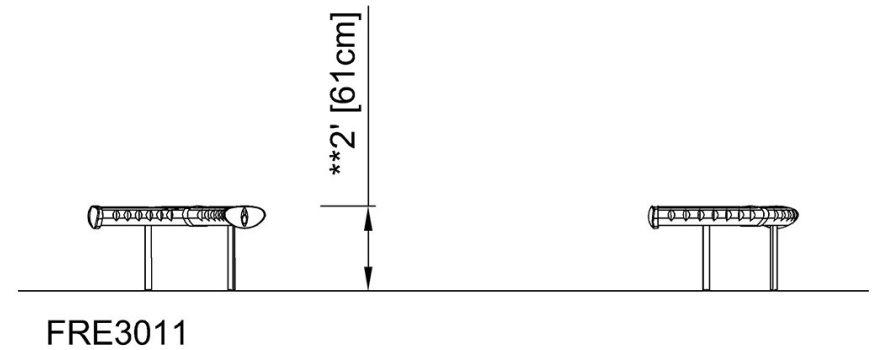
FRE3011

\* Max fall height | \*\* Total height | \*\*\* Safety surfacing area

\* Max fall height | \*\* Total height



FRE3011  
\*\*2' / 61cm



[Click to see TOP VIEW](#)

[Click to see SIDE VIEW](#)