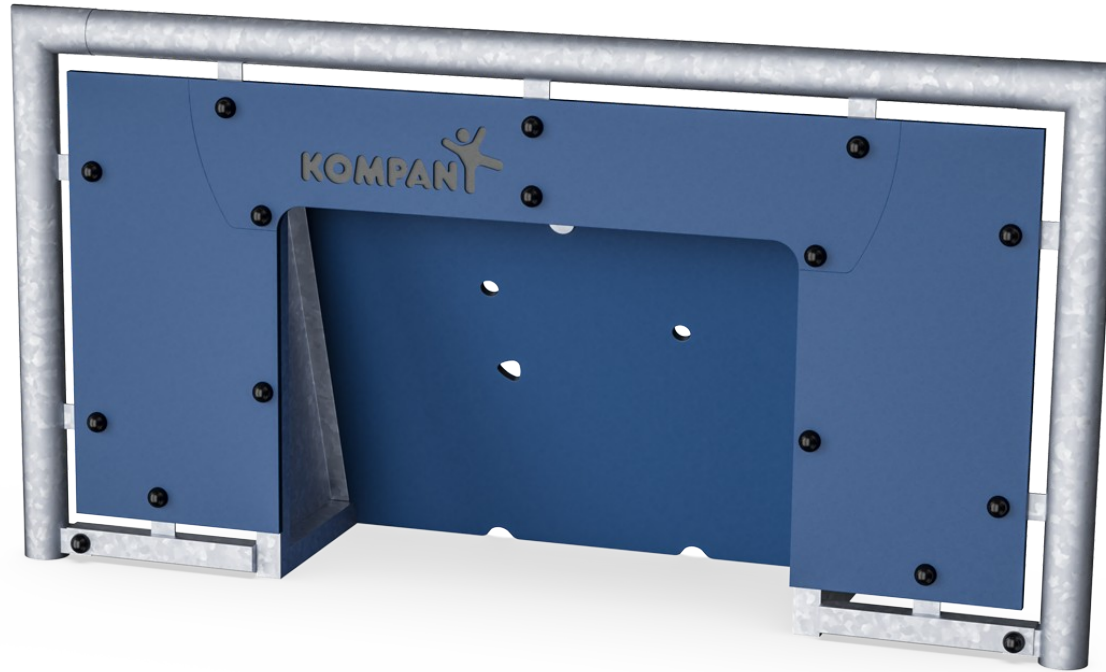


Cosmos Freestanding Minigoal

FRE2214

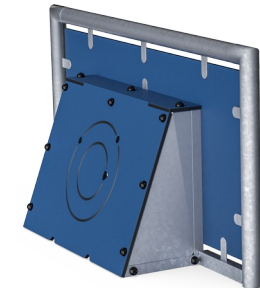
KOMPANI
Let's play



Item no. FRE2214-3317

General Product Information

Dimensions LxWxH	209x48x108 cm
Age group	3+
Play capacity (users)	-
Color options	●



In the lower barriers a mini goal can be added to create a second game space across the centre play area. The minigoal can also be installed as a stand alone item.



Cosmos Freestanding Minigoal

FRE2214

Item no. FRE2214-3317

Installation Information

Max. fall height	0 cm
Safety surfacing area	0.0 m ²
Total installation time	3.9
Excavation volume	0.32 m ³
Concrete volume	0.31 m ³
Footing depth (standard)	50 cm
Shipment weight	144 kg
Anchoring options	In-ground ✓

Warranty Information





Cradle to Gate A1-A3	Total CO ₂ emission	CO ₂ e/kg	Recycled materials
	kg CO ₂ e	kg CO ₂ e/kg	%
FRE2214-3317	213.90	2.26	58.60

The overall framework applied for these factors is the Environmental Product Declaration (EPD), which quantifies "environmental information on the life cycle of a product and enable comparisons between products fulfilling the same function" (ISO, 2006). This follows the structure and applies a Life-Cycle Assessment approach to the entire Product stage from raw material through manufacturing (A1-A3))

Kompan A/S
 C.F. Tietgens Boulevard 32C
 DK-5220 Odense SØ
 Denmark



Validation of CO₂ calculation of: Sport



Data version no. 2021-09-27

The CO₂ calculation and data are in compliance with the principles of a carbon footprint impact according to the GHG protocol (Greenhouse Gas Protocol), Scope 3, cradle to gate related to all individual components in the product category: "Sport" represented by item no.: FRE600202-0901. (Scope 3 emissions include emission sources in the upstream and downstream value chain).

Date: 15. October 2021 | Valid until: 15. October 2023

Validated by:

Bente Hviid, Senior Consultant

Peter Bendtsen, Senior Consultant

Validation based on report: Validation of CO₂ calculation of 8 categories of Kompan product line, version 1.0, prepared by: Bureau Veritas HSE, Denmark: Bente Hviid and Peter Bendtsen.

Publication date: 15. October 2021

By Bureau Veritas HSE
 www.bureauveritas.dk
 +45 7731 1000

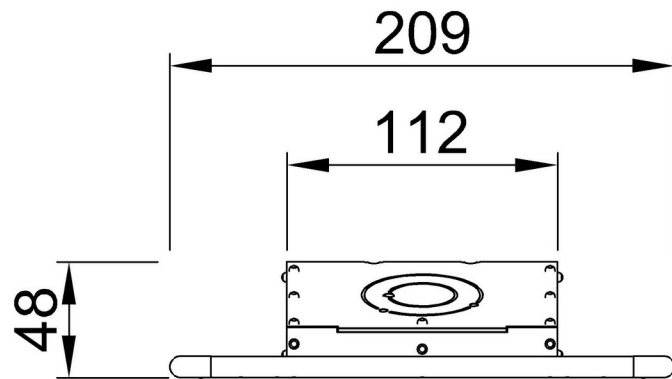


Cosmos Freestanding Minigoal

FRE2214

* Max fall height | ** Total height | *** Safety surfacing area

* Max fall height | ** Total height



FRE2214
**108cm



FRE2214

[Click to see TOP VIEW](#)

[Click to see SIDE VIEW](#)