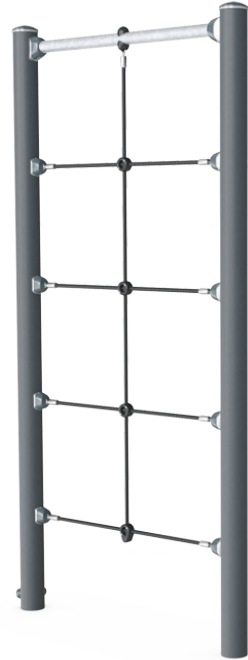


Multi net

FPW207



Item no. FPW20700-0900

General Product Information

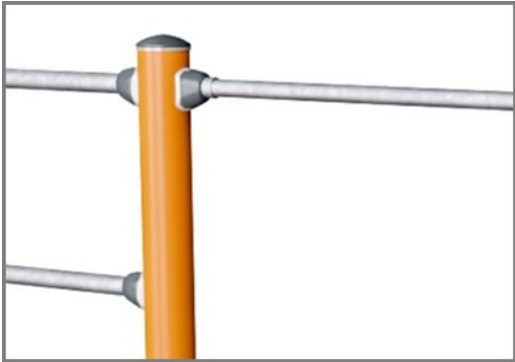
Dimensions LxWxH	120x11x240 cm
Age group	8+
Play capacity (users)	1
Color options	●



A climbing structure with an overhead pull up bar that offers support for varying the difficulty levels of own bodyweight exercises. The Multi Net is perfect as a training tool preparing for climbing movements in obstacle and survival runs.

Multi net

FPW207



Post are made of $\text{Ø}101.6 \times 2\text{mm}$, pre-galvanized carbon steel and powder coated, a great protection to all conditions.

Item no. FPW20700-0900

Installation Information

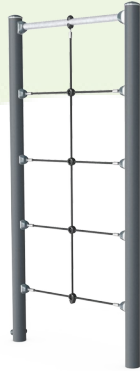
Max. fall height	233 cm
Safety surfacing area	19.1 m ²
Total installation time	3.2
Excavation volume	0.35 m ³
Concrete volume	0.19 m ³
Footing depth (standard)	90 cm
Shipment weight	70 kg
Anchoring options	

Warranty Information



Multi net

FPW207



Cradle to Gate A1-A3	Total CO ₂ emission	CO ₂ e/kg	Recycled materials
	kg CO ₂ e	kg CO ₂ e/kg	%
FPW20700-0900	159.80	3.81	46.40

The overall framework applied for these factors is the Environmental Product Declaration (EPD), which quantifies "environmental information on the life cycle of a product and enable comparisons between products fulfilling the same function" (ISO, 2006). This follows the structure and applies a Life-Cycle Assessment approach to the entire Product stage from raw material through manufacturing (A1-A3))

Kompan A/S
C.F. Tietgens Boulevard 32C
DK-5220 Odense SØ
Denmark



Validation of CO₂ calculation of: Fitness



Data version no. 2021-09-27

The CO₂ calculation and data are in compliance with the principles of a carbon footprint impact according to the GHG protocol (Greenhouse Gas Protocol), Scope 3, cradle to gate related to all individual components in the product category: "Fitness" represented by item no.: FAZ10100-0900 (Scope 3 emissions include emission sources in the upstream and downstream value chain).

Date: 15. October 2021 | Valid until: 15. October 2023

Validated by:

Bente Hviid, Senior Consultant

Peter Bendtsen, Senior Consultant

Validation based on report: Validation of CO₂ calculation of 8 categories of Kompan product line, version 1.0, prepared by: Bureau Veritas HSE, Denmark: Bente Hviid and Peter Bendtsen.

Publication date: 15. October 2021

By Bureau Veritas HSE
www.bureauveritas.dk
+45 7731 1000

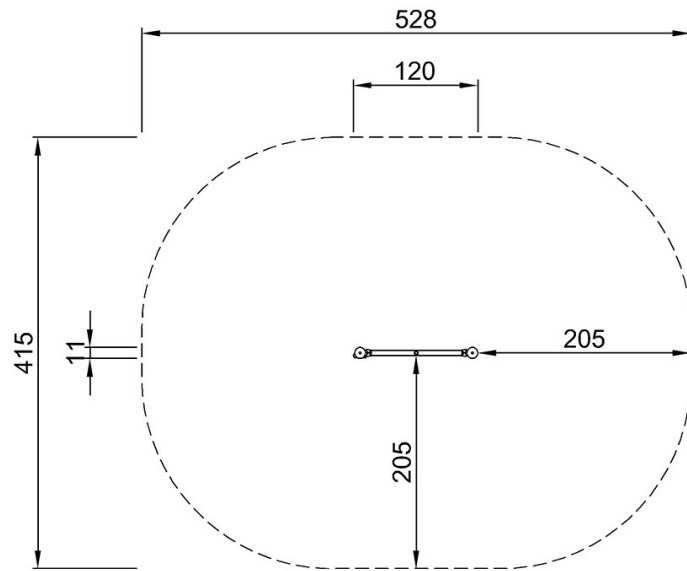


Multi net

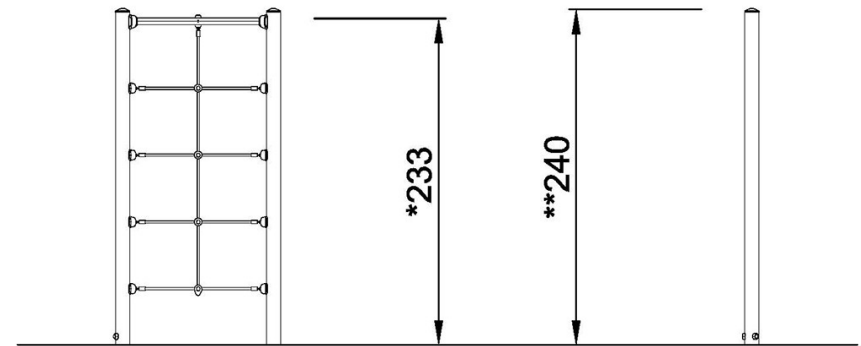
FPW207

* Max fall height | ** Total height | *** Safety surfacing area

* Max fall height | ** Total height



FPW20700
*233cm
**240cm
***19.1m²



FPW20700
1:100

[Click to see TOP VIEW](#)

[Click to see SIDE VIEW](#)