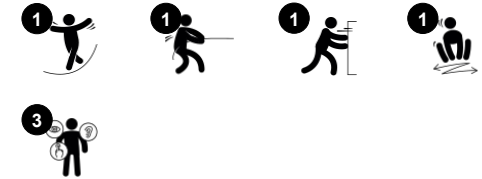


# Springer Bowl

ELE400066



Item no. ELE400066-12LG	
<b>General Product Information</b>	
Dimensions LxWxH	306x306x60 cm
Age group	6+
Play capacity (users)	1
Colour options	



The Springer Bowl is a wildly attractive playground activity that children will return to again and again. With its easily accessible bowl and seating height it invites children of all abilities and a wide age span to play. Children rock the Springer Bowl using their leg, arm and core muscles to coordinate movements and set it into motion. The spring will also move when

children use their upper bodies solely. Movement response is one of the greatest play sensations there are. Apart from the fun, this trains the sense of balance which is fundamental to all other physical mastery. Ultimately, the sense of balance is important to the child's ability to sit still and concentrate. The rocking response to movement trains the

understanding of cause and effect in younger children.



# Springer Bowl

ELE400066



The Spinner Bowl is made of recyclable PE. The bowl is moulded in one piece with integrated metal thread bushings and a water drain hole to ensure high durability in all climates around the world.



GreenLine versions in dark teal color are designed with molded PP parts which consist of 25% recycled post consumer waste and 75% virgin material. GreenLine ensures the lowest possible CO2e emission factor.



The Springer Bowl is available in four different colors. Yellow and lime green colors for classic playgrounds, Dark teal for GreenLine and beige for natural playgrounds.



KOMPAN Springs are made of high quality spring steel according to EN10270. The springs are cleaned by phosphating before they are painted with an epoxy primer and a polyester powder coating as top finish. The springs are fixed by unique anti pinch fittings for maximum safety and long lifetime.



The springs are fixed by unique anti pinch fittings for maximum safety and long lifetime.



The sand colored variant is made of rotomolded stone mixed PE material with non skid surface texture. Minor differences in the stone mix visuality of the material are to be expected.

Item no. ELE400066-12LG

### Installation Information

Max. fall height	50 cm
Safety surfacing area	7.4 m <sup>2</sup>
Total installation time	1.2
Excavation volume	0.29 m <sup>3</sup>
Concrete volume	0.00 m <sup>3</sup>
Footing depth (standard)	60 cm
Shipment weight	36 kg
Anchoring options	Surface ✓ In-ground ✓

### Warranty Information

Hollow PE parts	10 years
Springs	5 years
Hot dip galvanised steel	Lifetime
Hardware	10 years
Spare parts guaranteed	10 years





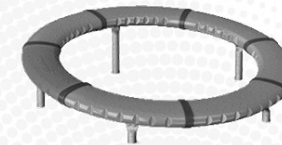
Cradle to Gate A1-A3	Total CO <sub>2</sub> emission	CO <sub>2</sub> e/kg	Recycled materials
	kg CO <sub>2</sub> e	kg CO <sub>2</sub> e/kg	%
<b>ELE400066-12LG</b>	80.50	2.49	33.90
<b>ELE400066-12DT</b>	79.10	2.45	37.30

The overall framework applied for these factors is the Environmental Product Declaration (EPD), which quantifies "environmental information on the life cycle of a product and enable comparisons between products fulfilling the same function" (ISO, 2006). This follows the structure and applies a Life-Cycle Assessment approach to the entire Product stage from raw material through manufacturing (A1-A3))

**Kompan A/S**  
 C.F. Tietgens Boulevard 32C  
 DK-5220 Odense SØ  
 Denmark



### Validation of CO<sub>2</sub> calculation of: Freestanding play equipment



Data version no. 2021-09-27

The CO<sub>2</sub> calculation and data are in compliance with the principles of a carbon footprint impact according to the GHG protocol (Greenhouse Gas Protocol), Scope 3, cradle to gate related to all individual components in the product category: "Freestanding play equipment" represented by item no.: GXY916012-3417.

(Scope 3 emissions include emission sources in the upstream and downstream value chain).

**Date: 15. October 2021 | Valid until: 15. October 2023**

**Validated by:**

Bente Hviid, Senior Consultant

Peter Bendtsen, Senior Consultant

Validation based on report: Validation of CO<sub>2</sub> calculation of 8 categories of Kompan product line, version 1.0, prepared by: Bureau Veritas HSE, Denmark: Bente Hviid and Peter Bendtsen.

**Publication date: 15. October 2021**

**By Bureau Veritas HSE**  
 www.bureauveritas.dk  
 +45 7731 1000

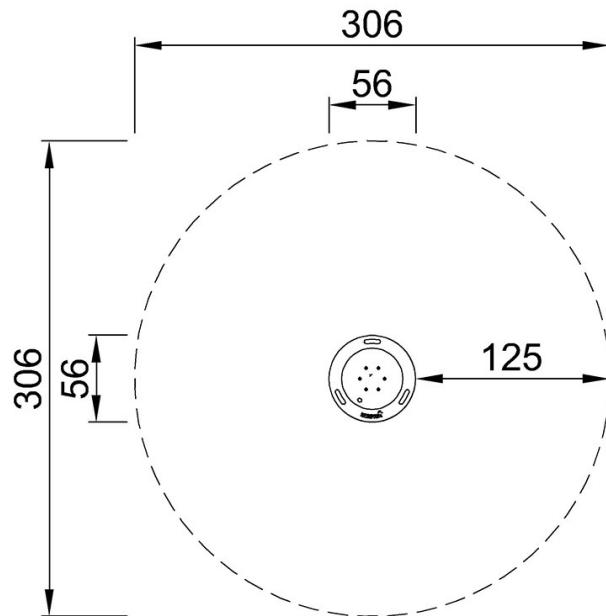


# Springer Bowl

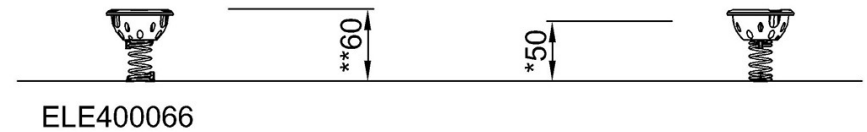
ELE400066

\* Max fall height | \*\* Total height | \*\*\* Safety surfacing area

\* Max fall height | \*\* Total height



ELE400066  
\*50cm  
\*\*60cm  
\*\*\*7.4m<sup>2</sup>



[Click to see TOP VIEW](#)

[Click to see SIDE VIEW](#)